

# STEEL FIX C-STAHL

CP471 STEELFIX carbon steel press-fit cap 22

54735D00

## Areas of application



Press-fit cap made of carbon steel coated with a zinc layer, incl. EPDM sealing elements, d15-54  
"leak before pressed"

Press contour: M

# Specifications

## Article information

**port 1** Pressmuffe

**press contour** M

## Product information

**VPE1** 10,00 SA1

**VPE2** 150,00 KT1

**VPE3** 3750,00 DDP

**weight** 0,030 KGM

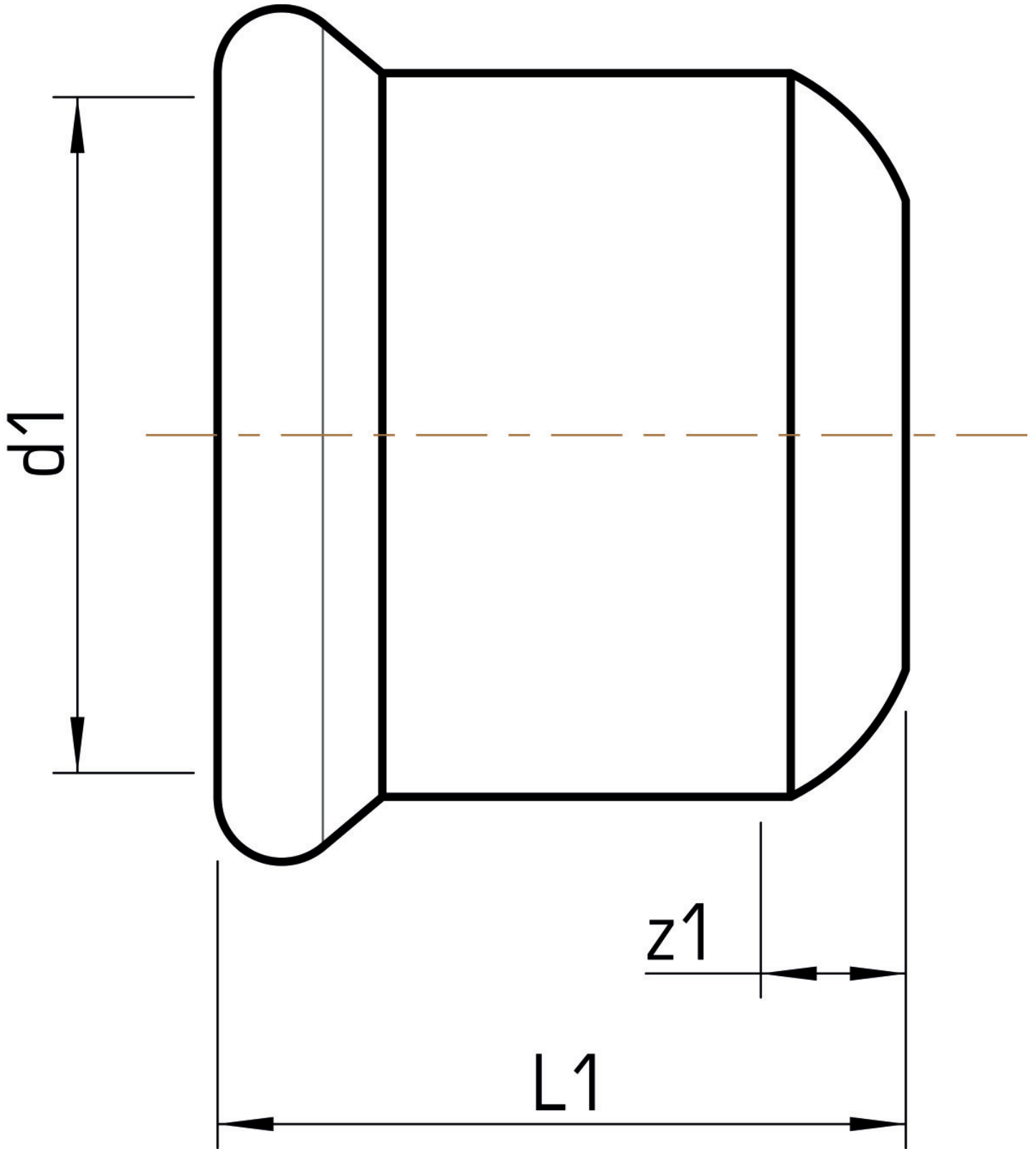
**text** STEELFIX carbon steel press-fit cap

**INTRNR** 73079980

**main material group** STEELFIX

**material group** C-STAHL pressfittings

**code** CP471



Art. No	label	d1 mm	L1 mm	z1 mm
54735D00	22	22	28,5	7,5



**KE KELIT GmbH**

A 4020 Linz, Ignaz-Mayer-Straße 17, Austria, Europe

**PHONE** +43 (0) 50 779 **E-MAIL** [office@kekelit.com](mailto:office@kekelit.com)

[www.kekelit.com](http://www.kekelit.com)