

STEEL FIX C-STAHL

CP471 STEELFIX carbon steel press-fit cap 28

54735E00

Areas of application



Press-fit cap made of carbon steel coated with a zinc layer, incl. EPDM sealing elements, d15-54
"leak before pressed"

Press contour: M

Specifications

Article information

port 1 Pressmuffe

press contour M

Product information

VPE1 10,00 SA1

VPE2 130,00 KT1

VPE3 3250,00 DDP

weight 0,042 KGM

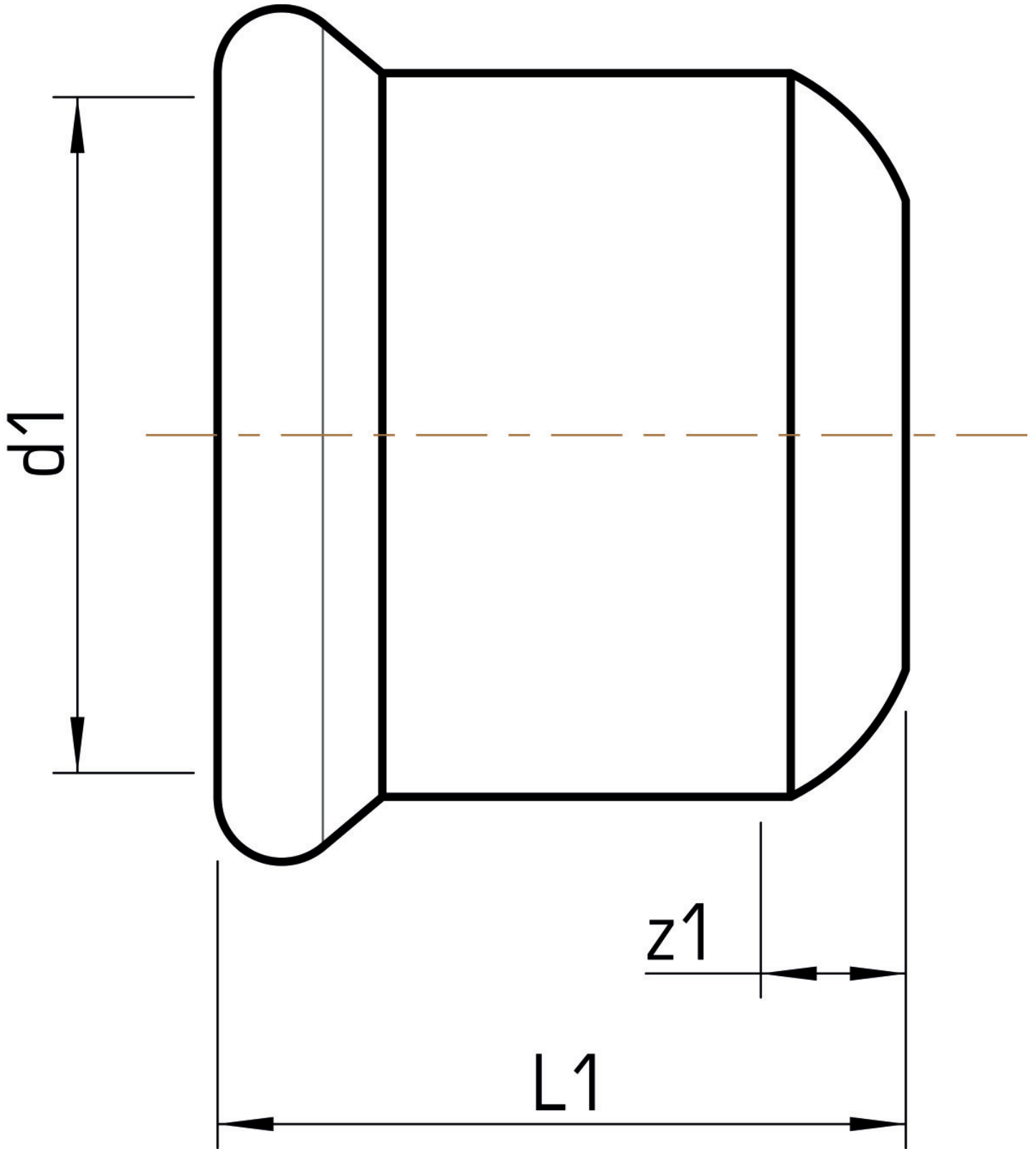
text STEELFIX carbon steel press-fit cap

INTRNR 73079980

main material group STEELFIX

material group C-STAHL pressfittings

code CP471



Art. No	label	d1 mm	L1 mm	z1 mm
54735E00	28	28	32,5	9,5



KE KELIT GmbH

A 4020 Linz, Ignaz-Mayer-Straße 17, Austria, Europe

PHONE +43 (0) 50 779 **E-MAIL** office@kekelit.com

www.kekelit.com