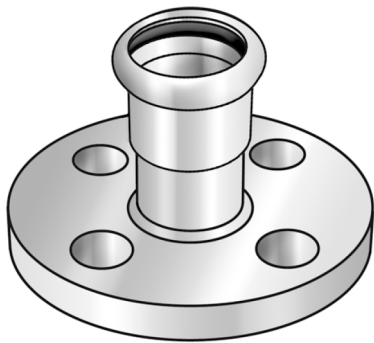


STEEL FIX C-STAHL

CP486 STEELFIX carbon steel press-fit-adapter flange PN10/16 76-DN65 4-hole

54755J00

Areas of application



Press-adapter flange, flat-sealing made of carbon steel coated with a zinc layer, incl. EPDM sealing elements, depending on the size with flat or grooved sealing surface, d15-54 "leak before pressed"
Hole circle dimensioning conforming to DIN 2501-PN16

Press contour: M

Specifications

Article information

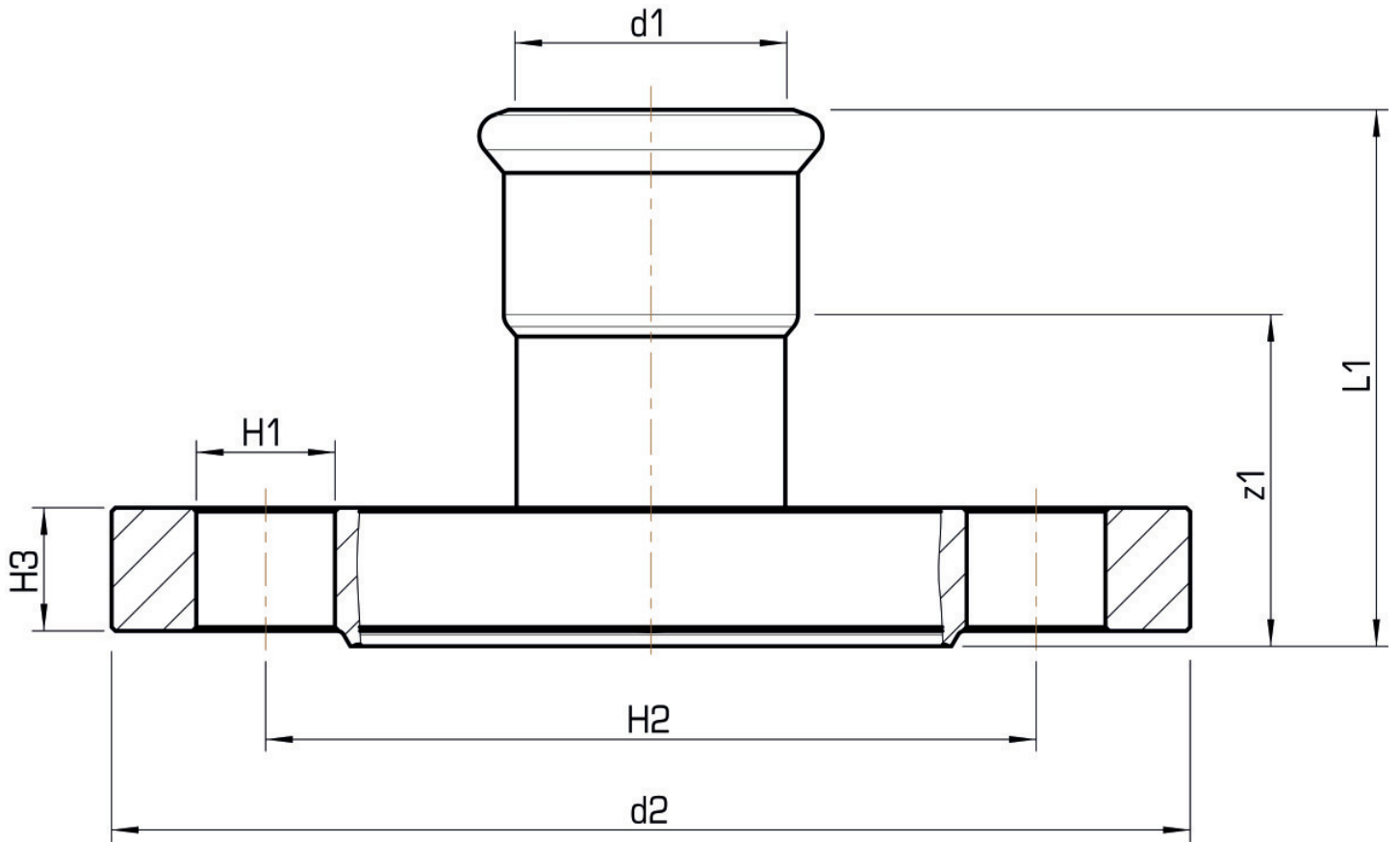
port 1	Pressmuffe
port 2	Flansch
execution	1-part
design	gerade
press contour	M

Technical properties

PN	PN 16
----	-------

Product information

VPE1	1,00 KT1
weight	3,546 KGM
text	STEELFIX carbon steel press-fit-adapter flange PN10/16
INTRNR	73079980
main material group	STEELFIX
material group	C-STAHL pressfittings
code	CP486



Art. No	label	d2	d1 mm	L1 mm	z1 mm	pitch circle diameter mm
54755J00	76-DN65 4-hole	DN 65	76,1	126	71	145