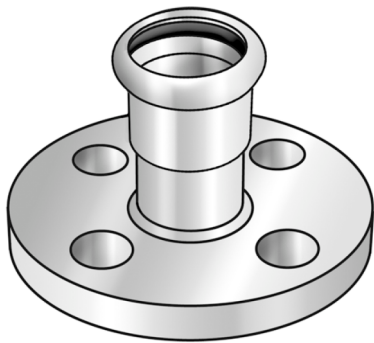


# STEEL FIX C-STAHL

CP487 STEELFIX carbon steel press-fit-adapter flange PN6 108-DN100 4-hole

54753L00

## Areas of application



Press-adapter flange, flat-sealing made of carbon steel coated with a zinc layer, incl. EPDM sealing elements, depending on the size with flat or grooved sealing surface, d15-54 "leak before pressed"  
Hole circle dimensioning conforming to DIN 2501-PN6

Press contour: M

# Specifications

## Article information

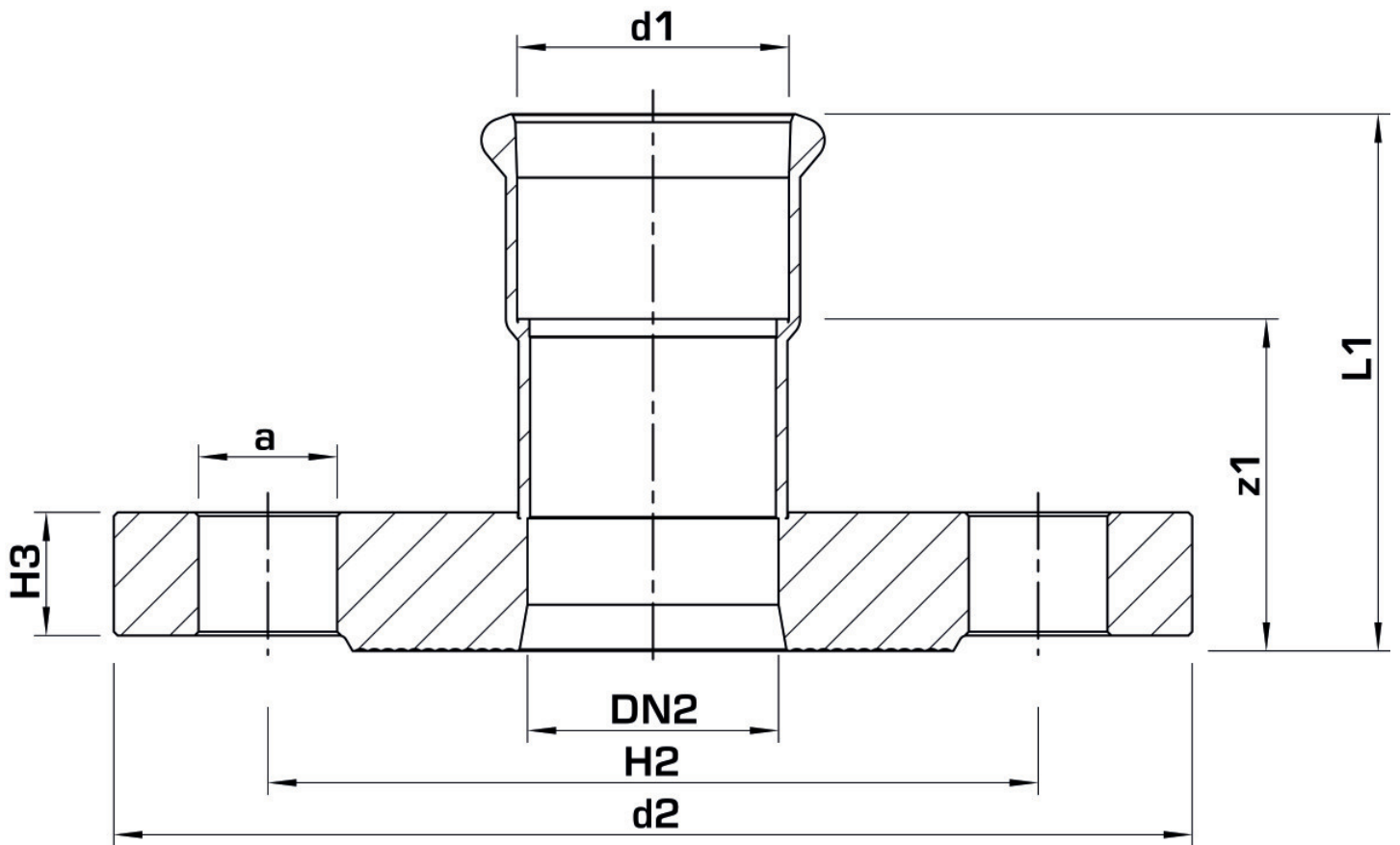
port 1	Pressmuffe
port 2	Flansch
execution	1-part
design	gerade
press contour	M

## Technical properties

PN	PN 16
----	-------

## Product information

VPE1	1,00 SA1
VPE2	6,00 KT1
weight	5,350 KGM
text	STEELFIX carbon steel press-fit-adapter flange PN6
INTRNR	73079980
main material group	STEELFIX
material group	C-STAHl pressfittings
code	CP487



Art. No	label	d2	d1 mm	L1 mm	z1 mm	pitch circle diameter mm
54753L00	108-DN100 4-hole	DN 100	108	168	91	170