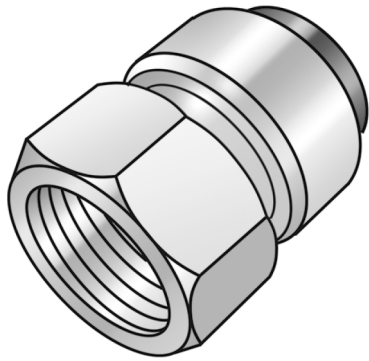


STEEL FIX EDELSTAHL

NF457 STEELFIX stainless steel push-fit adapter with female thread 28x3/4"

53206E04

Areas of application



Push-in adapter with female thread made of stainless steel 1.4401, incl. EPDM sealing components and pull-out barriers, can be disassembled, to pressure-test Steelfix and copper pipes
ATTENTION, only use for pressure testing!

Approvals:



Specifications

Article information

| | |
|-----------|---|
| port 1 | Einsteck (Push-Fitting) |
| port 2 | Innengewinde zylindrisch BSPT-Rp (ISO 7-1 / EN 10226-1) |
| execution | 1-part |
| design | gerade |

Technical properties

| | |
|------------------------------------|--------|
| maximum working pressure at 20 ° C | 16 bar |
|------------------------------------|--------|

Product information

| | |
|----------------|--|
| VPE1 | 2,00 SA1 |
| VPE2 | 50,00 KT1 |
| weight | 0,252 KGM |
| text | STEELFIX stainless steel push-fit adapter with female thread |
| INTRNR | 73071990 |
| material group | EDELSTAHL pushfittings |
| code | NF457 |

| Art. No | label | d2 | d1 mm | L1 mm | L2 mm | z1 mm | z2 mm | slw2 mm |
|----------|---------|------------------|-------|-------|-------|-------|-------|---------|
| 53206E04 | 28x3/4" | 3/4 Zoll (20) | 28 | 32 | 17 | 4 | 4 | 32 |



KE KELIT GmbH

A 4020 Linz, Ignaz-Mayer-Straße 17, Austria, Europe

PHONE +43 (0) 50 779 E-MAIL office@kekelit.com

www.kekelit.com