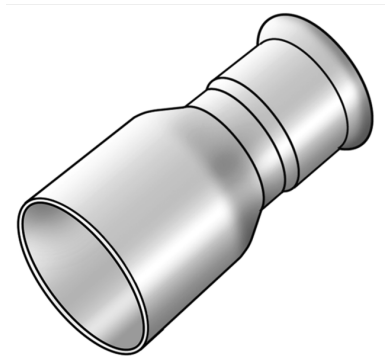


STEEL FIX EDELSTAHL

NP411 STEELFIX stainless steel press-fit reduction nipple male/female 54/35

53601HF0

Areas of application



Press-fit reducing nipple f/m straight made of stainless steel 1.4404, incl. EPDM sealing components, d15-54 "leak before pressed"

Press contour: M

Approvals:



Specifications

Article information

| | |
|---------------|-----------------|
| port 1 | Pressmuffe |
| port 2 | Zapfen/Rohrende |
| execution | 1-part |
| design | gerade |
| press contour | M |

Product information

| | |
|----------------|--|
| VPE1 | 4,00 SA1 |
| VPE2 | 16,00 KT1 |
| VPE3 | 400,00 DDP |
| weight | 0,242 KGM |
| text | STEELFIX stainless steel press-fit reduction nipple male/female |
| INTRNR | 73072980 |
| material group | EDELSTAHL pressfittings |
| code | NP411 |



| Art. No | label | d1 mm | d2 mm | L1 mm | L2 mm | z1 mm | z2 mm |
|----------|-------|-------|-------|-------|-------|-------|-------|
| 53601HF0 | 54/35 | 35 | 54 | 36 | 57,5 | 10 | 18 |