

STEEL FIX EDELSTAHL

NP420 STEELFIX stainless steel press-fit elbow
90° 18

53615CC0

Areas of application



Press-elbow 90° stainless steel 1.4404, incl. EPDM sealing components, d15-54 "leak before pressed"

Press contour: M

Approvals:



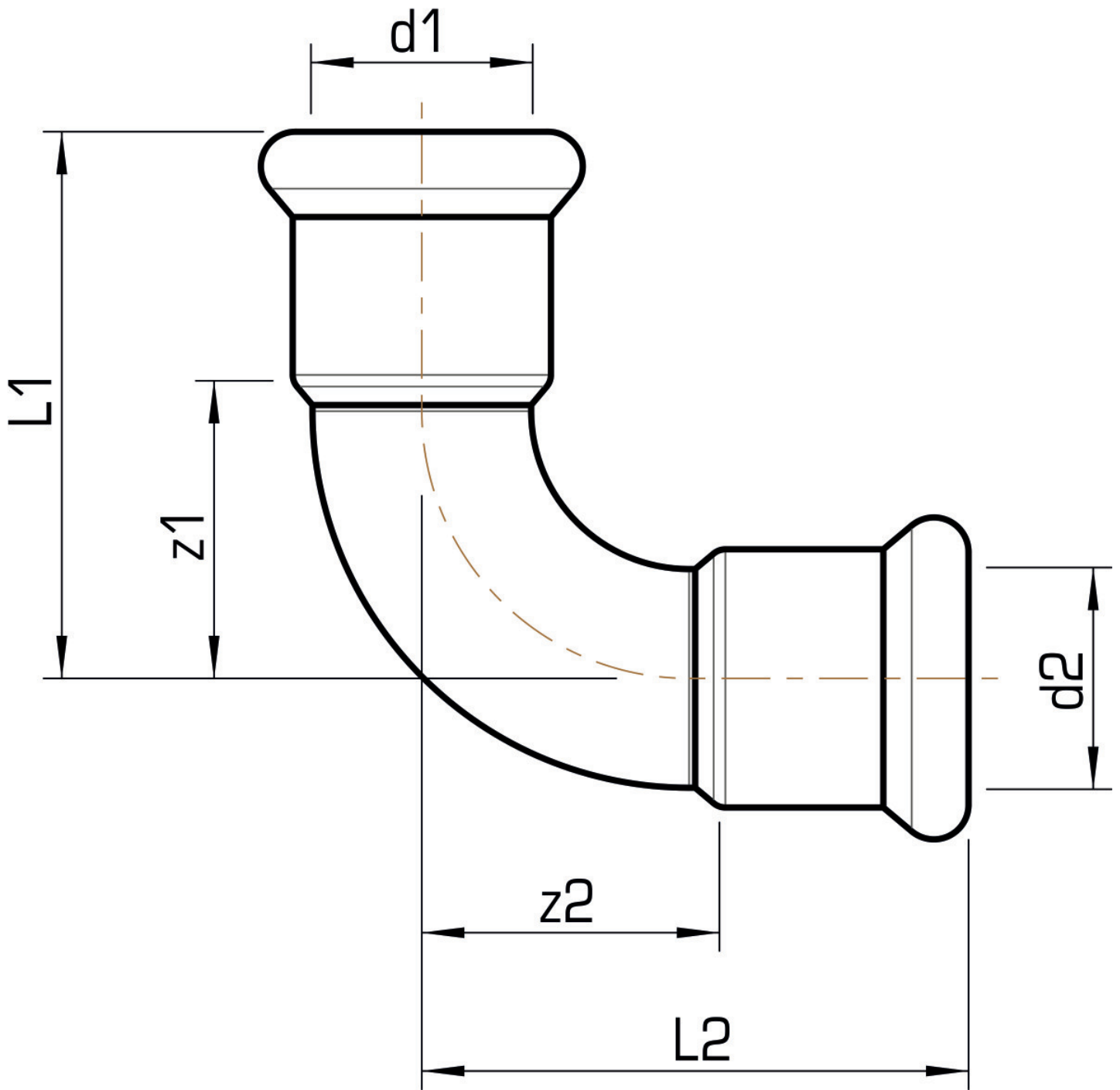
Specifications

Article information

port 1	Pressmuffe
port 2	Pressmuffe
execution	1-part
design	Bogen
angle	90 °
press contour	M

Product information

VPE1	10,00 SA1
VPE2	90,00 KT1
VPE3	2250,00 DDP
weight	0,104 KGM
text	STEELFIX stainless steel press-fit elbow 90°
INTRNR	73072980
material group	EDELSTAHL pressfittings
code	NP420



Art. No	label	d1 mm	d2 mm	L1 mm	L2 mm	z1 mm	z2 mm
53615CC0	18	18	18	45	45	25	25