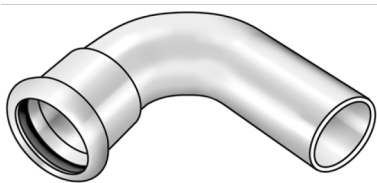


# STEEL FIX EDELSTAHL

NP421 STEELFIX stainless steel press-fit elbow  
90° male/female 18

53616CC0

## Areas of application



Press-elbow 90°, f/m, stainless steel 1.4404, incl. EPDM sealing components, d15-54 "leak before pressed"

Press contour: M

## Approvals:



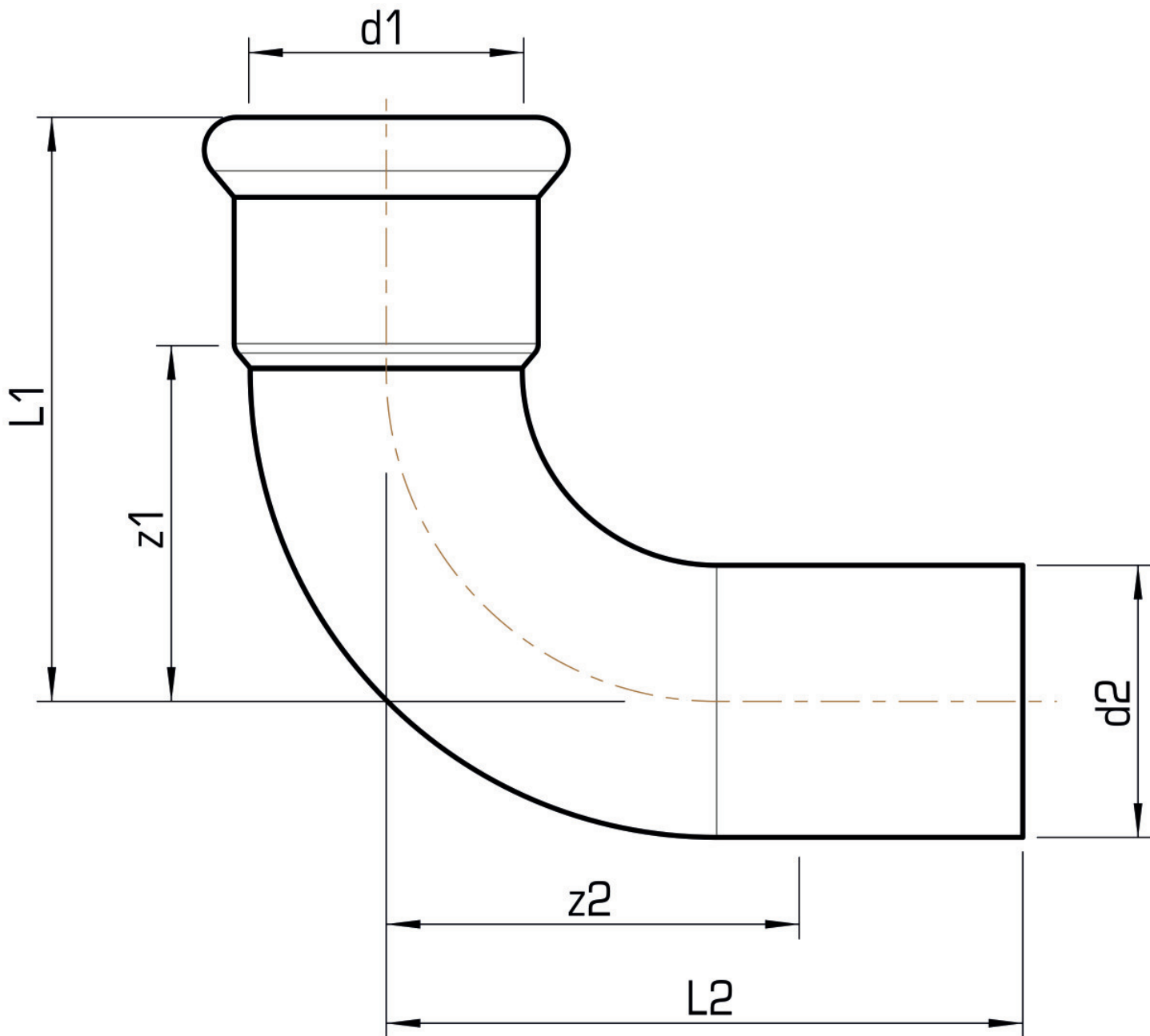
# Specifications

## Article information

|               |                 |
|---------------|-----------------|
| port 1        | Pressmuffe      |
| port 2        | Zapfen/Rohrende |
| execution     | 1-part          |
| design        | Bogen           |
| angle         | 90 °            |
| press contour | M               |

## Product information

|                |  |
|----------------|--|
| VPE1           | 10,00 SA1  |
| VPE2           | 80,00 KT1  |
| VPE3           | 2000,00 DDP  |
| weight         | 0,105 KGM  |
| text           | STEELFIX stainless steel press-fit elbow 90° male/female |
| INTRNR         | 73072980   |
| material group | EDELSTAHL pressfittings                                  |
| code           | NP421  |



| Art. No  | label | d1 mm | d2 mm | L1 mm | L2 mm | z1 mm | z2 mm |
|----------|-------|-------|-------|-------|-------|-------|-------|
| 53616CC0 | 18    | 18    | 18    | 45    | 51,5  | 25    | 31,5  |