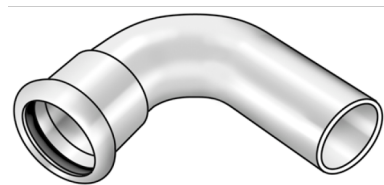


STEEL FIX EDELSTAHL

NP421 STEELFIX stainless steel press-fit elbow
90° male/female 22

53616DD0

Areas of application



Press-elbow 90°, f/m, stainless steel 1.4404, incl. EPDM sealing components, d15-54 "leak before pressed"

Press contour: M

Approvals:



KE KELIT GmbH

A 4020 Linz, Ignaz-Mayer-Straße 17, Austria, Europe

PHONE +43 (0) 50 779 E-MAIL office@kekelit.com

www.kekelit.com

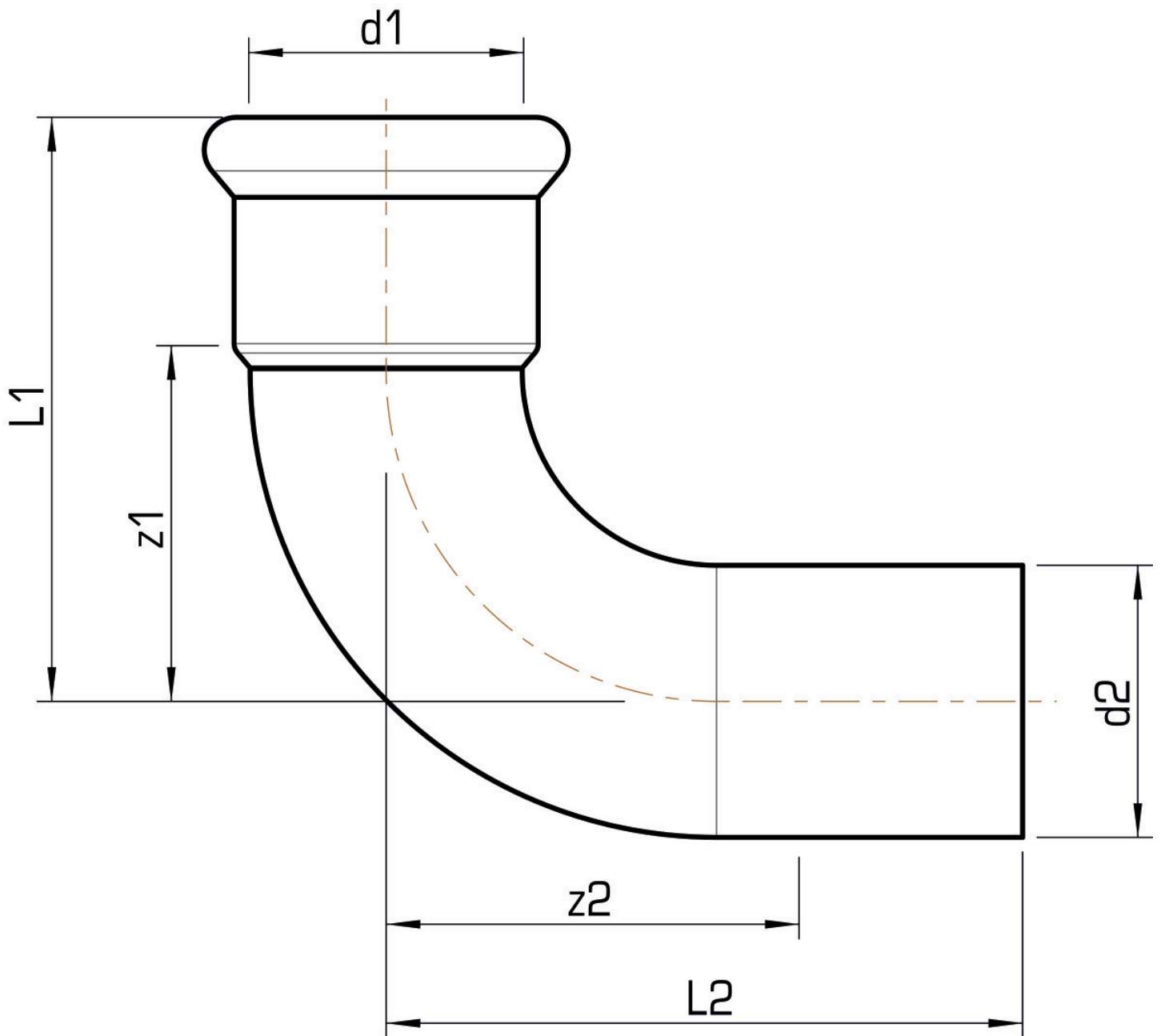
Specifications

Article information

port 1	Pressmuffe
port 2	Zapfen/Rohrende
execution	1-part
design	Bogen
angle	90 °
press contour	M

Product information

VPE1	5,00 SA1
VPE2	60,00 KT1
VPE3	1500,00 DDP
weight	0,108 KGM
text	STEELFIX stainless steel press-fit elbow 90° male/female
INTRNR	73072980
material group	EDELSTAHL pressfittings
code	NP421



Art. No	label	d1 mm	d2 mm	L1 mm	L2 mm	z1 mm	z2 mm
53616DD0	22	22	22	51	60	30	39