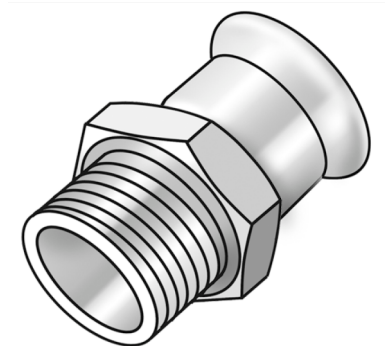


STEEL FIX EDELSTAHL

NP450 STEELFIX stainless steel press-fit-adapter with male thread 28x3/4"

53702E04

Areas of application



Press-adapter with male thread conforming to EN 10226-1 made of stainless steel 1.4404, incl. EPDM sealing elements, d15-54 "leak before pressed"

Press contour: M

Approvals:



Specifications

Article information

port 1	Pressmuffe
port 2	Außengewinde konisch BSPT-R (ISO 7-1 / EN 10226-1)
execution	1-part
design	gerade
press contour	M

Product information

VPE1	10,00 SA1
VPE2	60,00 KT1
VPE3	1500,00 DDP
weight	0,172 KGM
text	STEELFIX stainless steel press-fit-adapter with male thread
INTRNR	73072980
material group	EDELSTAHL pressfittings
code	NP450



Art. No	label	d2 Inches	d1 mm	L1 mm	L2 mm	z1 mm	slw2 mm
53702E04	28x3/4"	3/4 Zoll (20)	28	27	18	4	38