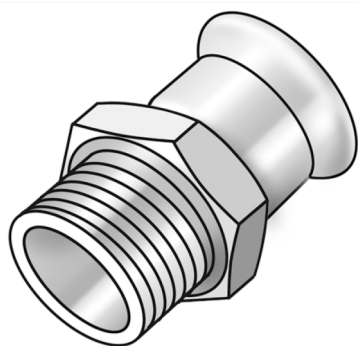


STEEL FIX EDELSTAHL

NP450 STEELFIX stainless steel press-fit-adapter with male thread 42x5/4"

53702G06

Areas of application



Press-adapter with male thread conforming to EN 10226-1 made of stainless steel 1.4404, incl. EPDM sealing elements, d15-54 "leak before pressed"

Press contour: M

Approvals:



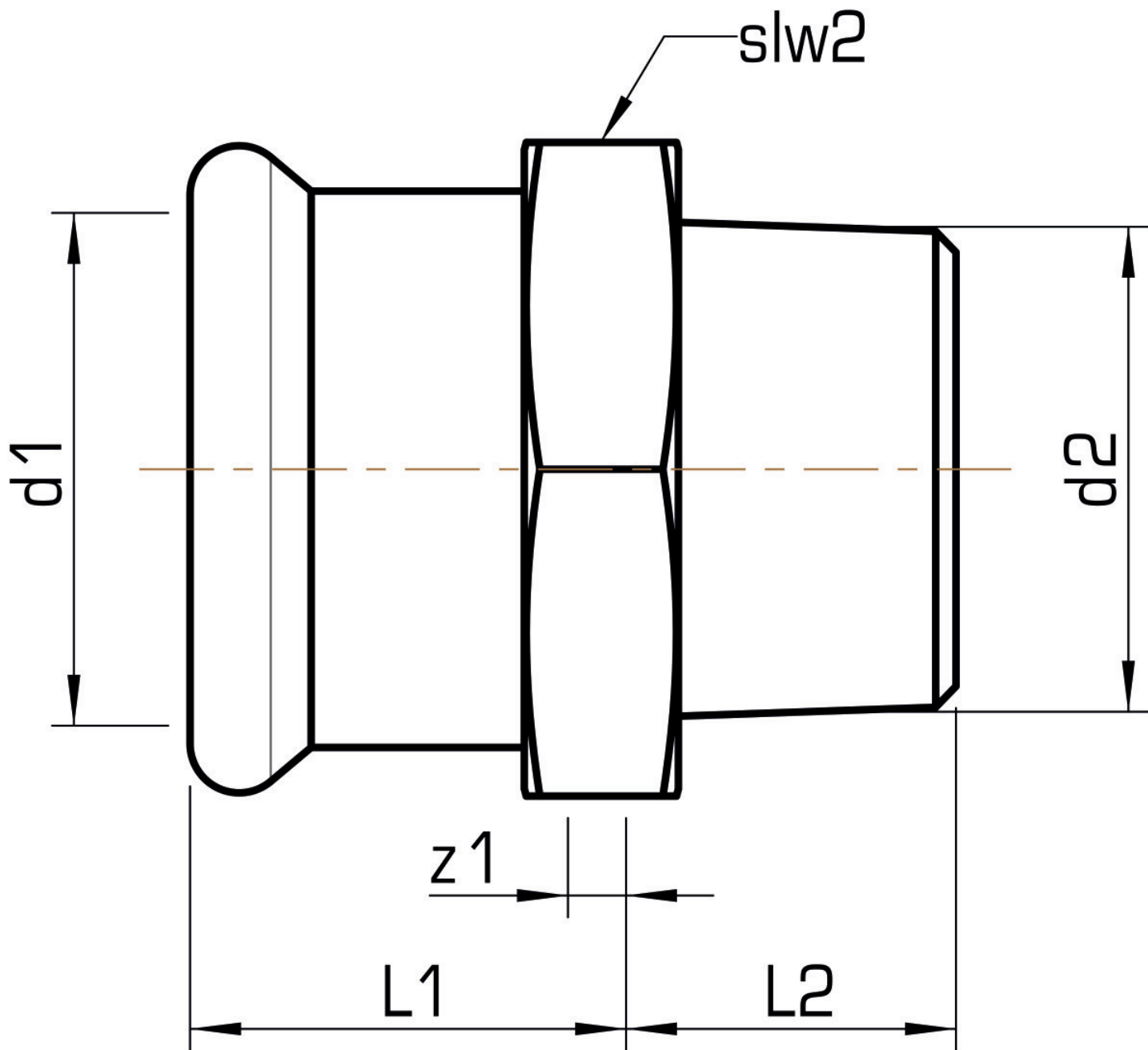
Specifications

Article information

| | |
|---------------|--|
| port 1 | Pressmuffe |
| port 2 | Außengewinde konisch BSPT-R (ISO 7-1 / EN 10226-1) |
| execution | 1-part |
| design | gerade |
| press contour | M |

Product information

| | |
|----------------|---|
| VPE1 | 4,00 SA1 |
| VPE2 | 16,00 KT1 |
| VPE3 | 400,00 DDP |
| weight | 0,274 KGM |
| text | STEELFIX stainless steel press-fit-adapter with male thread |
| INTRNR | 73072980 |
| material group | EDELSTAHL pressfittings |
| code | NP450 |



| Art. No | label | d2 Inches | d1 mm | L1 mm | L2 mm | z1 mm | slw2 mm |
|----------|---------|-----------|-------|-------|-------|-------|---------|
| 53702G06 | 42x5/4" | 1 1/4" | 42 | 34 | 25 | 4 | 54 |