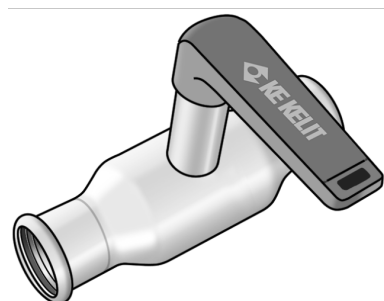


# STEEL FIX EDELSTAHL

NP453H STEELFIX stainless steel press-fit ball valve with extended spindle 28

53729EE0

## Areas of application



Press-fit ball valve with full passage, ball and base body with full flow, with extended spindle for thicker insulations made of stainless steel 1.4404, incl. EPDM sealing elements, "leak before pressed"

Press contour: M

Operating temperature: - 35°C - tmax 135°C

## Approvals:



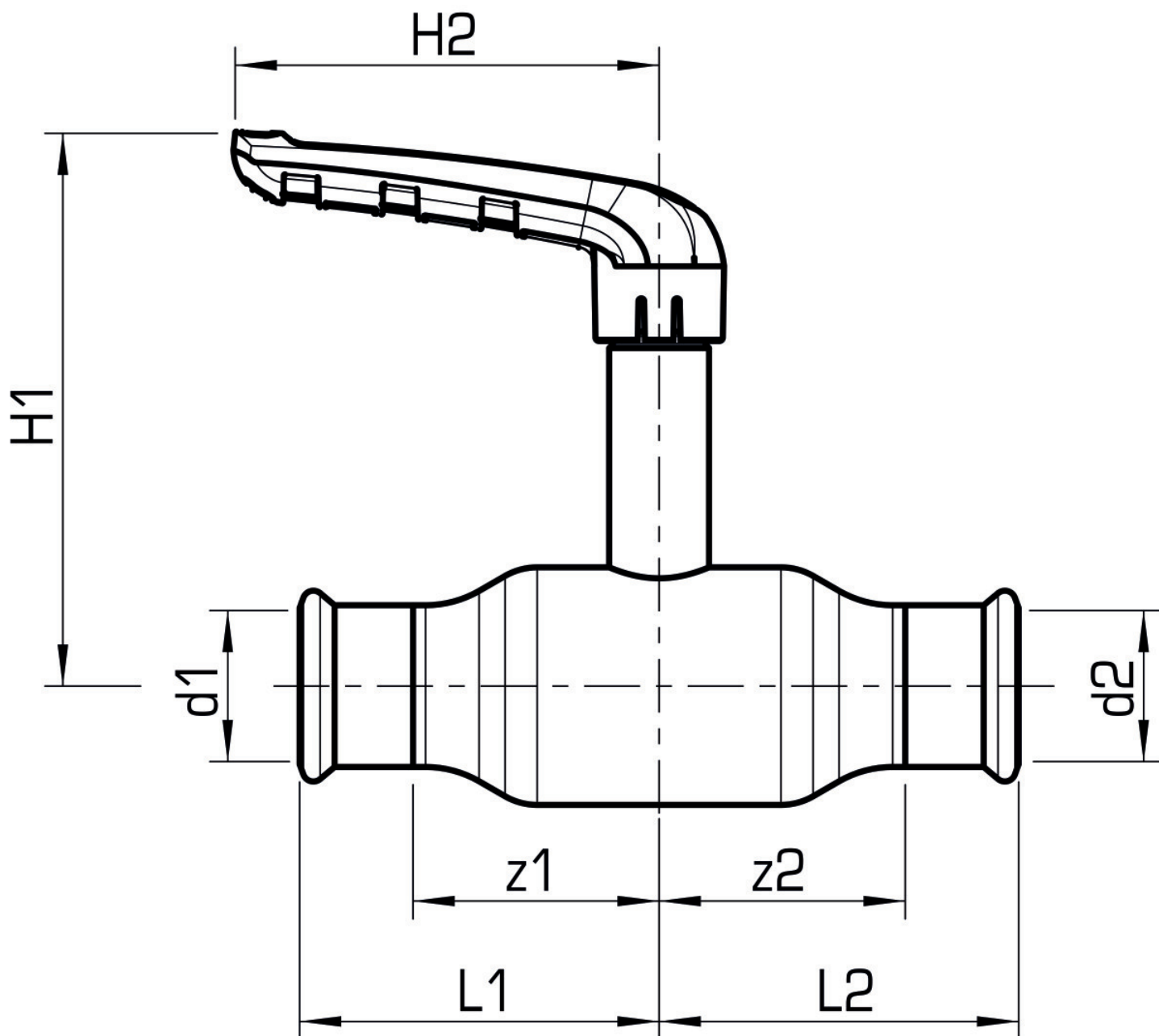
# Specifications

## Article information

<b>port 1</b>	Pressmuffe
<b>port 2</b>	Pressmuffe
<b>execution</b>	gerade

## Product information

<b>VPE1</b>	1,00 SA1
<b>VPE2</b>	8,00 KT1
<b>weight</b>	0,690 KGM
<b>text</b>	STEELFIX stainless steel press-fit ball valve with extended spindle
<b>INTRNR</b>	84818081
<b>material group</b>	EDELSTAHL pressfittings
<b>code</b>	NP453H



Art. No	label	d1 mm	d2 mm	L1 mm	L2 mm	z1 mm	z2 mm
53729EE0	28	28	28	70	70	45	45