

STEEL FIX EDELSTAHL

NP453H STEELFIX stainless steel press-fit ball valve with extended spindle 35

53729FF0

Areas of application



Press-fit ball valve with full passage, ball and base body with full flow, with extended spindle for thicker insulations made of stainless steel 1.4404, incl. EPDM sealing elements, "leak before pressed"

Press contour: M

Operating temperature: - 35°C - tmax 135°C

Approvals:



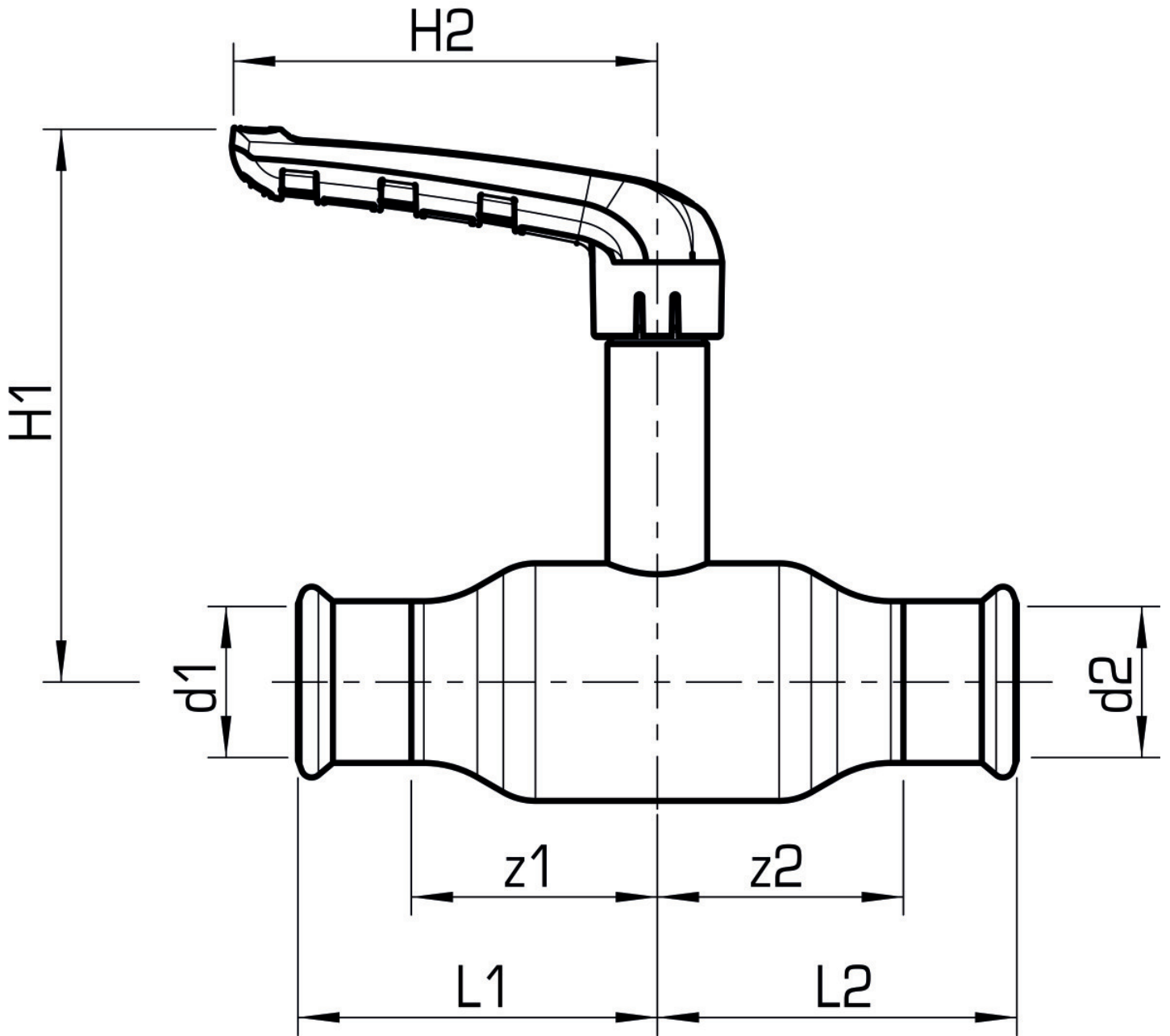
Specifications

Article information

port 1	Pressmuffe
port 2	Pressmuffe
execution	gerade

Product information

VPE1	1,00 SA1
VPE2	8,00 KT1
weight	0,990 KGM
text	STEELFIX stainless steel press-fit ball valve with extended spindle
INTRNR	84818081
material group	EDELSTAHL pressfittings
code	NP453H



Art. No	label	d1 mm	d2 mm	L1 mm	L2 mm	z1 mm	z2 mm
53729FF0	35	35	35	83	83	55	55