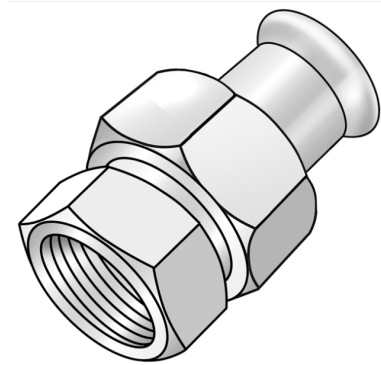


# STEEL FIX EDELSTAHL

NP466 STEELFIX stainless steel press-fit union with female thread 18x1/2"

53742C02

## Areas of application



Press-fit union with female thread conforming to EN 10226-1 made of stainless steel 1.4404, incl. EPDM sealing elements, d15-54 "leak before pressed"

Press contour: M

## Approvals:



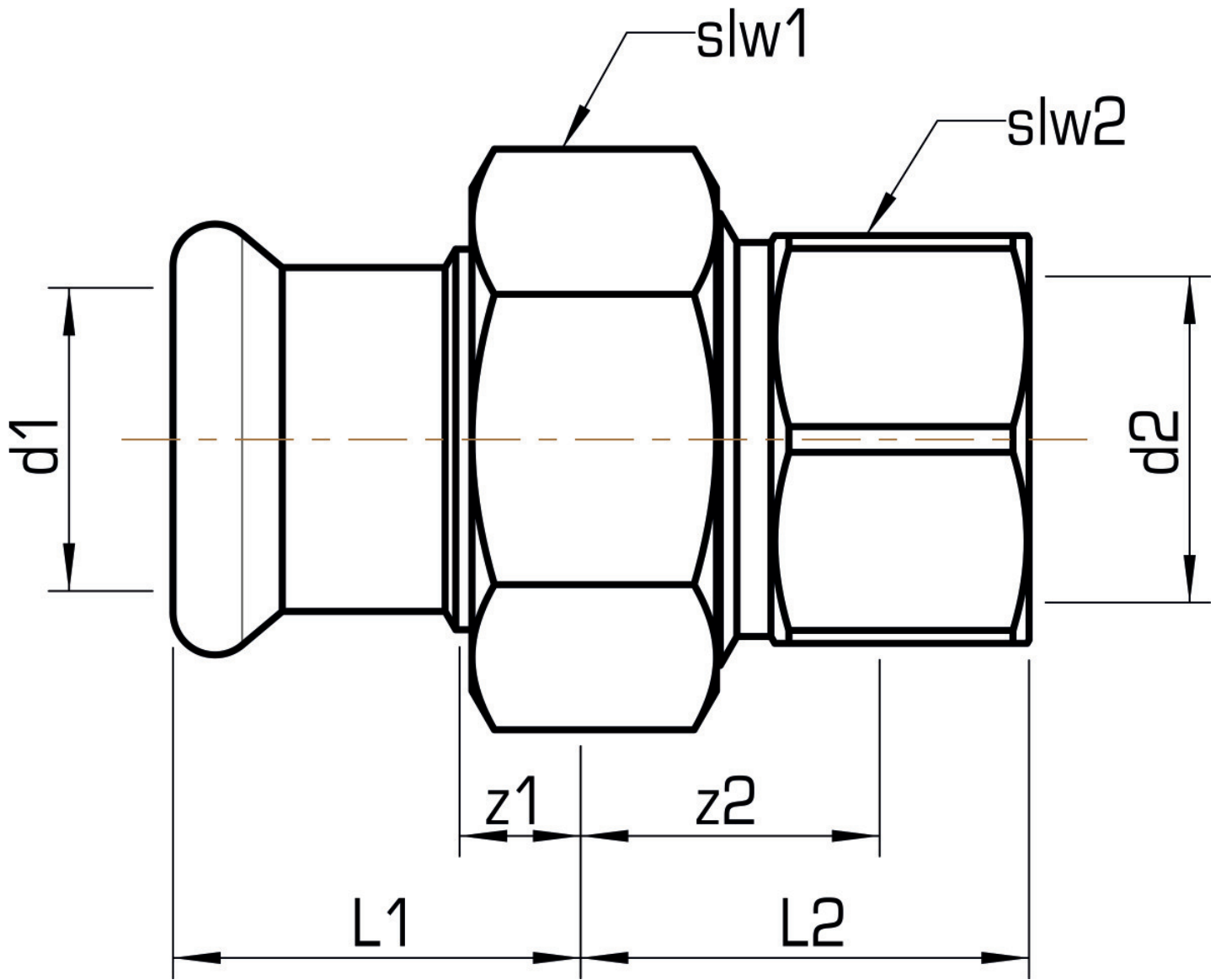
# Specifications

## Article information

|               |   |
|---------------|---|
| port 1        | Pressmuffe  |
| port 2        | Innengewinde zylindrisch BSPT-Rp (ISO 7-1 / EN 10226-1) |
| execution     | 1-part  |
| design        | gerade  |
| press contour | M   |

## Product information

|                |   |
|----------------|---|
| VPE1           | 2,00 SA1  |
| VPE2           | 40,00 KT1   |
| weight         | 0,110 KGM   |
| text           | STEELFIX stainless steel press-fit union with female thread |
| INTRNR         | 73072980  |
| material group | EDELSTAHL pressfittings                                     |
| code           | NP466   |



| Art. No  | label   | d2<br>Inches | d1 mm | L1 mm | L2 mm | z1 mm | z2 mm | slw1<br>mm | slw2<br>mm |
|----------|---------|--------------|-------|-------|-------|-------|-------|------------|------------|
| 53742C02 | 18x1/2" | 1/2" (15)    | 18    | 29    | 28    | 9     | 18    | 30         | 24         |