

STEEL FIX EDELSTAHL

NP471 STEELFIX stainless steel press-fit cap
108

53735L00

Areas of application



Press-fit cap made of stainless steel 1.4404, incl. EPDM sealing elements, d15-54 "leak before pressed"

Press contour: M

Approvals:



Specifications

Article information

port 1 Pressmuffe

press contour M

Product information

VPE1 1,00 SA1

VPE2 15,00 KT1

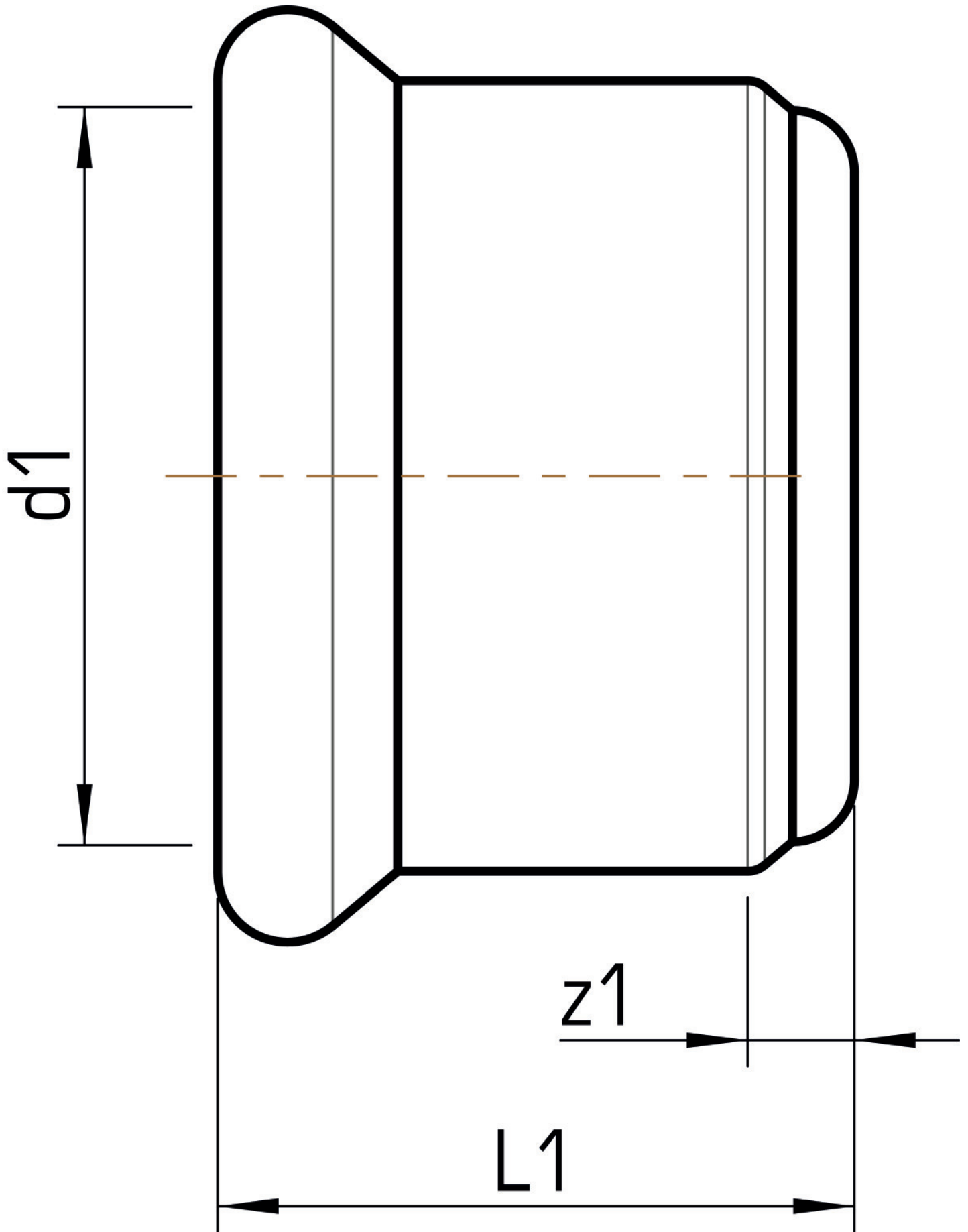
weight 0,821 KGM

text STEELFIX stainless steel press-fit cap

INTRNR 73072980

material group EDELSTAHL pressfittings

code NP471



Art. No	label	d1 mm	L1 mm	z1 mm
53735L00	108	108	127	50



KE KELIT GmbH

A 4020 Linz, Ignaz-Mayer-Straße 17, Austria, Europe

PHONE +43 (0) 50 779 **E-MAIL** office@kekelit.com

www.kekelit.com