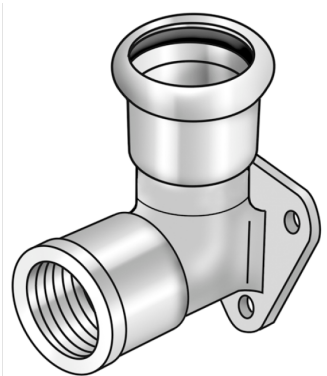


# STEEL FIX EDELSTAHL

NP480 STEELFIX stainless steel press-fit-wall bracket fitting 90° with female thread 18x1/2"

53750C02

## Areas of application



Press-wall bracket fitting 90°, female, made of stainless steel 1.4404, incl. EPDM sealing components, "leak before pressed"

Press contour: M

## Approvals:



# Specifications

## Article information

**port 1** Pressmuffe

**design** rechtwinklig

**press contour** M

## Technical properties

**maximum working pressure at 20 ° C** 16 bar

## Product information

**VPE1** 10,00 SA1

**VPE2** 70,00 KT1

**VPE3** 1750,00 DDP

**weight** 0,146 KGM

**text** STEELFIX stainless steel press-fit-wall bracket fitting 90° with female thread

**INTRNR** 73072980

**material group** EDELSTAHL pressfittings

**code** NP480

Art. No	label	d1 mm	L1 mm	L3 mm	z1 mm	z3 mm
53750C02	18x1/2"	18	44,5	26	24,5	10



**KE KELIT GmbH**

A 4020 Linz, Ignaz-Mayer-Straße 17, Austria, Europe

PHONE +43 (0) 50 779 E-MAIL [office@kekelit.com](mailto:office@kekelit.com)

[www.kekelit.com](http://www.kekelit.com)