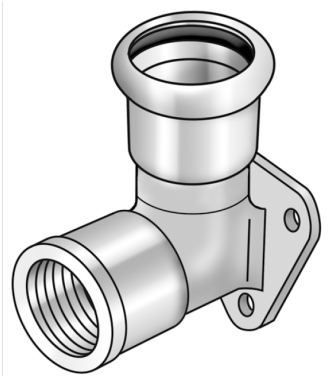


# STEEL FIX EDELSTAHL

NP480 STEELFIX stainless steel press-fit-wall bracket fitting 90° with female thread 22x3/4"

53750D04

## Areas of application



Press-wall bracket fitting 90°, female, made of stainless steel 1.4404, incl. EPDM sealing components, "leak before pressed"

Press contour: M

## Approvals:



# Specifications

## Article information

port 1	Pressmuffe
design	rechtwinklig
press contour	M

## Technical properties

maximum working pressure at 20 ° C	16 bar
------------------------------------	--------

## Product information

VPE1	10,00 SA1
VPE2	50,00 KT1
VPE3	1250,00 DDP
weight	0,278 KGM
text	STEELFIX stainless steel press-fit-wall bracket fitting 90° with female thread
INTRNR	73072980
material group	EDELSTAHL pressfittings
code	NP480

Art. No	label	d1 mm	L1 mm	L3 mm	z1 mm	z3 mm
53750D04	22x3/4"	22	48,5	33	27,5	12,7



**KE KELIT GmbH**

A 4020 Linz, Ignaz-Mayer-Straße 17, Austria, Europe

PHONE +43 (0) 50 779 E-MAIL [office@kekelit.com](mailto:office@kekelit.com)

[www.kekelit.com](http://www.kekelit.com)