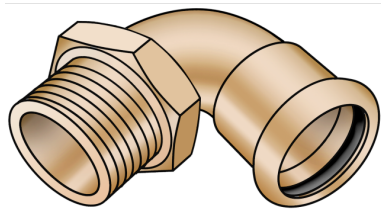


COPPER FIX

COF460 COPPERFIX copper press-elbow adapter 90° male 42x6/4"

52712G07

Areas of application



Press-elbow adapter 90° with male thread conforming to EN 10226-1 made of red brass, incl. EPDM sealing components, "leak before pressed"

Press contour: M

Approvals:



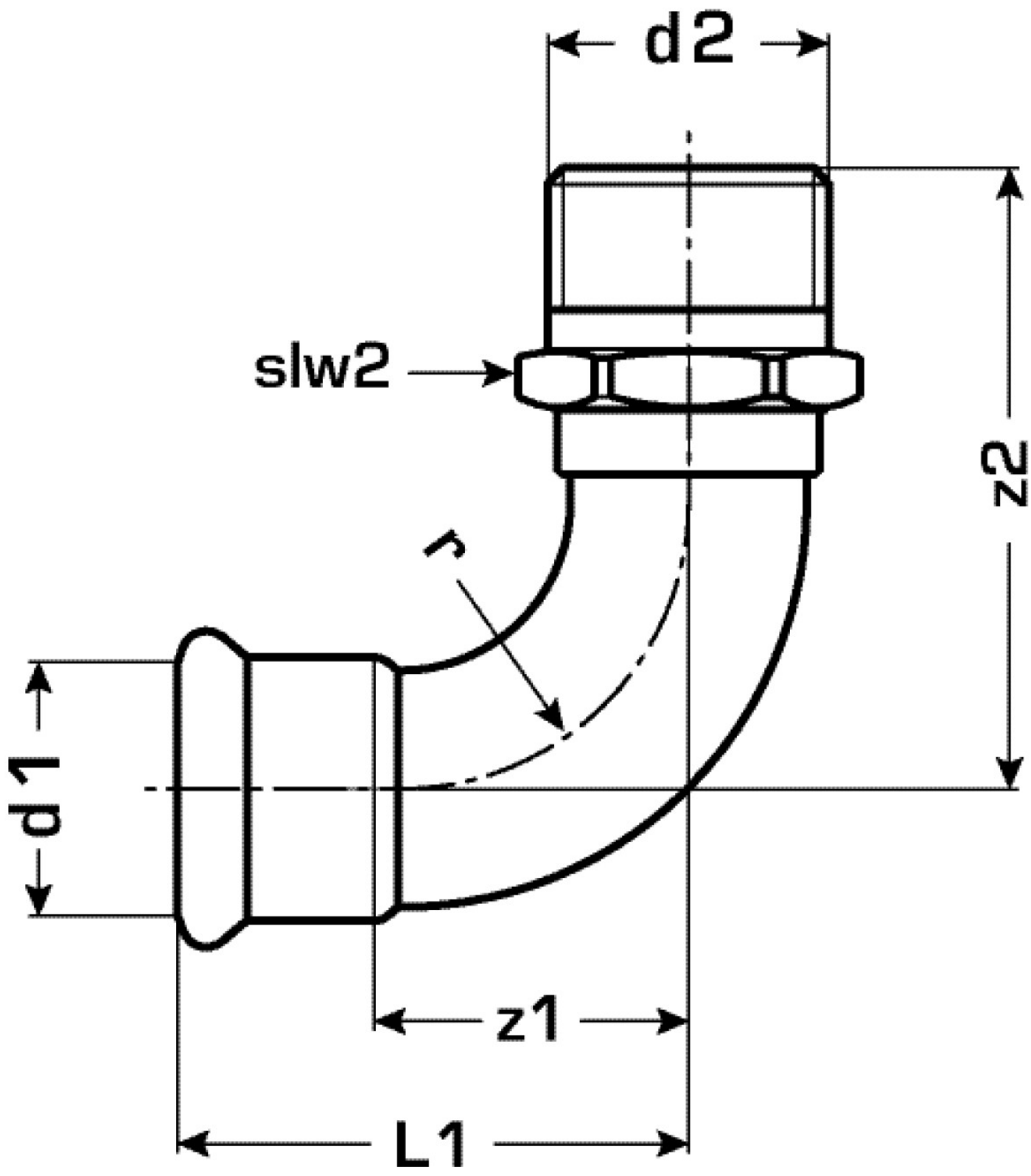
Specifications

Article information

| | |
|---------------|--|
| port 1 | Pressmuffe |
| port 2 | Außengewinde konisch BSPT-R (ISO 7-1 / EN 10226-1) |
| design | Bogen |
| angle | 90 ° |
| press contour | M |

Product information

| | |
|---------------------|---|
| VPE1 | 1,00 SA1 |
| VPE2 | 15,00 KT1 |
| weight | 0,444 KGM |
| text | COPPERFIX copper press-elbow adapter 90° male |
| INTRNR | 74122000 |
| main material group | COPPERFIX |
| material group | KUPFER pressfittings |
| code | COF460 |



| Art. No | label | d2 | d1 mm | L1 mm | z1 mm | z2 mm | slw2 mm |
|----------|---------|--------|-------|-------|-------|-------|---------|
| 52712G07 | 42x6/4" | 1 1/2" | 42 | 62 | 32 | 51 | 58 |



KE KELIT GmbH

A 4020 Linz, Ignaz-Mayer-Straße 17, Austria, Europe

PHONE +43 (0) 50 779 **E-MAIL** office@kekelit.com

www.kekelit.com