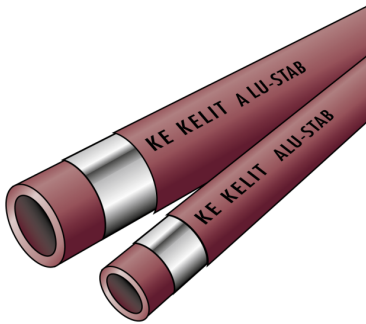


# KETRIX

## TRI01 KETRIX aluminium composite pipe - PN16 32x3.6

55001F00

### Areas of application



KETRIX ALU composite pipe based on EN ISO 15874 oxygen-tight made of polyolefin blend (POB), mechanically stabilising aluminium pipe attached to the outer wall of the medium pipe with a bonding agent and protective layer for COOLING WATER, COLD and COMPRESSED AIR up to 10 bar Area of application: 20°C/16 bar, from -30°C to +40°C/10 bar

Colour: burgundy

Length: 4m

# Specifications

## Article information

**color** Burgundy

**trade length** 4 m

**isolation** No

## Technical properties

**maximum working pressure at 20 ° C** 16 bar

**pipe weight** 0,39 kg/m

**pipe contents** 0,48 l/m

**lambda pipe** 0,24 W/(m.K)

**wall rawness** 0,007 mm

**expansion coefficient** 0,030 mm/(m.K)

## Product information

**DIM2** 24,8

**VPE1** 40,00 BND

**L** 4 m

**weight** 0,390 KGM

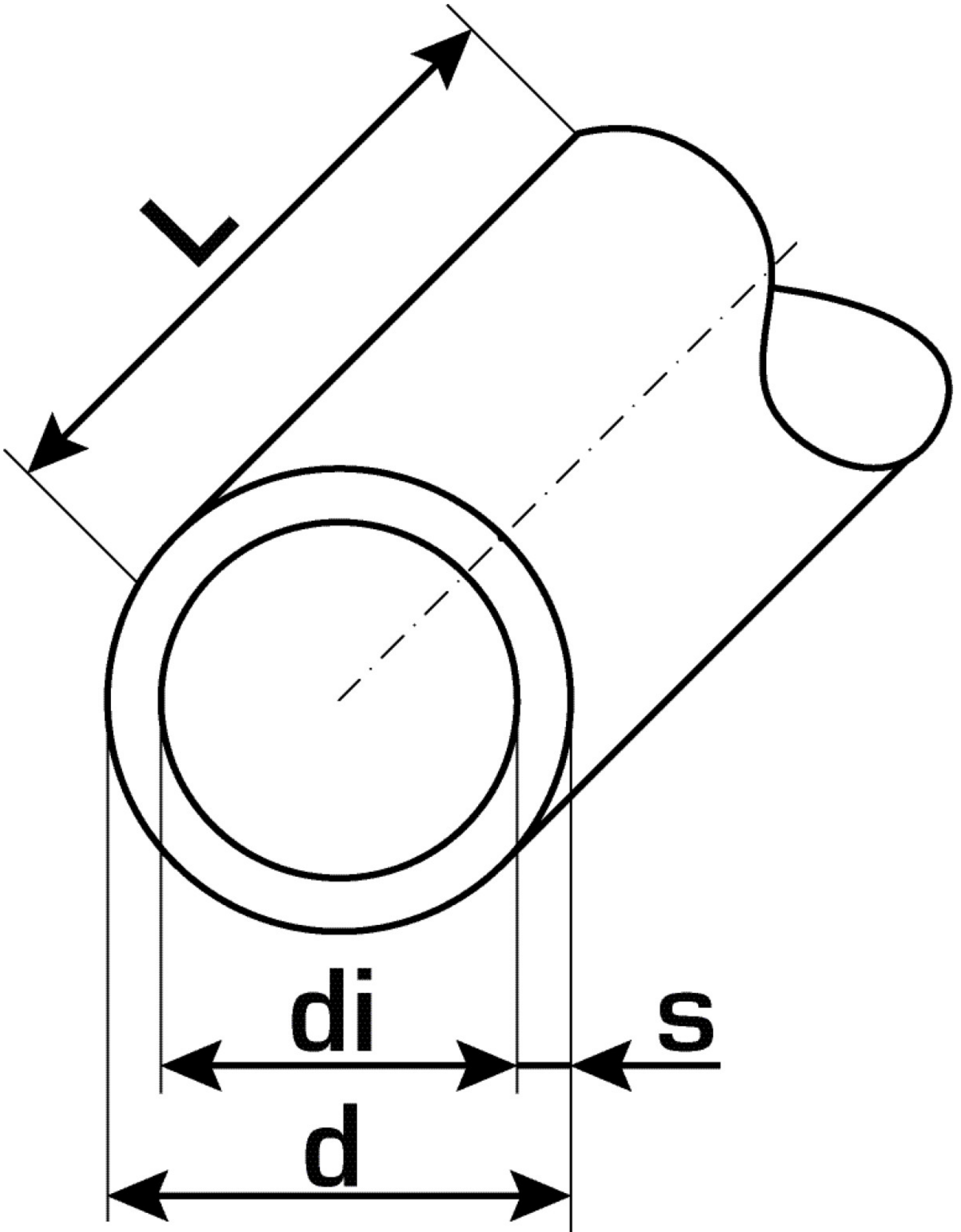
**text** KETRIX aluminium composite pipe - PN16

**INTRNR** 39172290

**main material group** KETRIX

**material group** KETRIX pipes

**code** TRI01



Art. No	label	d1 mm	pipe contents l/m	s mm
55001F00	32x3.6	32	0,48	3,6



**KE KELIT GmbH**

A 4020 Linz, Ignaz-Mayer-Straße 17, Austria, Europe

**PHONE** +43 (0) 50 779 **E-MAIL** [office@kekelit.com](mailto:office@kekelit.com)

[www.kekelit.com](http://www.kekelit.com)