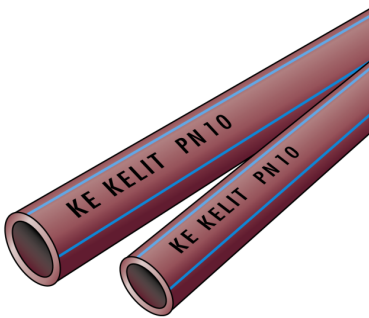


# KETRIX

## TRI02 KETRIX industrial pipe - PN10 50x4.6

55002H00

### Areas of application



KETRIX industrial piping system based on ÖNORM EN ISO 15874 made of polyolefin blend (POB) for COOLING WATER and COLD

Application area: 20°C/10 bar, from -30°C to +30°C/8 bar

Colour: burgundy with 3 co-extruded blue longitudinal lines

Length: 4m

# Specifications

## Article information

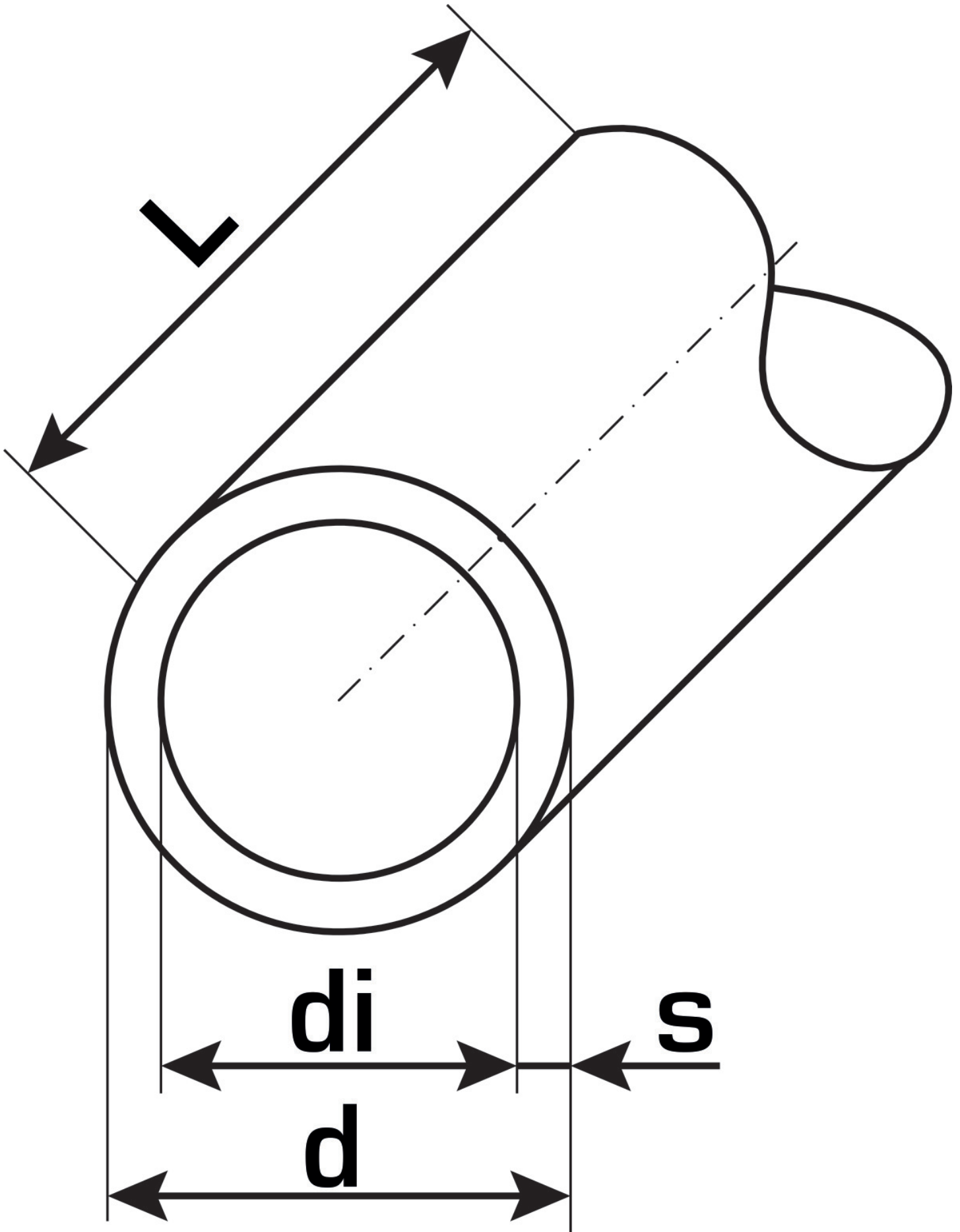
<b>port 1</b>	Pipe end
<b>port 2</b>	Pipe end
<b>color</b>	Burgundy

## Technical properties

<b>pipe weight</b>	0,64 kg/m
<b>pipe contents</b>	1,31 l/m
<b>PN</b>	PN 10
<b>lambda pipe</b>	0,24 W/(m.K)
<b>wall rawness</b>	0,007 mm
<b>expansion coefficient</b>	0,14 mm/(m.K)

## Product information

<b>DIM2</b>	40,8
<b>VPE1</b>	20,00 BND
<b>VPE2</b>	1100,00 HOB
<b>L</b>	4 m
<b>weight</b>	0,645 KGM
<b>text</b>	KETRIX industrial pipe - PN10
<b>INTRNR</b>	39172290
<b>main material group</b>	KETRIX
<b>material group</b>	KETRIX pipes
<b>code</b>	TRI02



Art. No	label	d1 mm	pipe contents l/m	s mm
55002H00	50x4.6	50	1,31	4,6



**KE KELIT GmbH**

A 4020 Linz, Ignaz-Mayer-Straße 17, Austria, Europe

**PHONE** +43 (0) 50 779 **E-MAIL** office@kekelit.com

www.kekelit.com