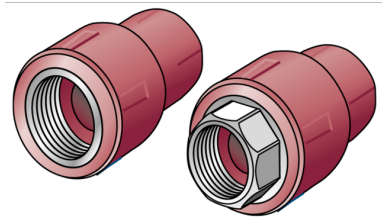


KETRIX

TRI13 KETRIX adapter with female thread 32x3/4"

55212F04

Areas of application



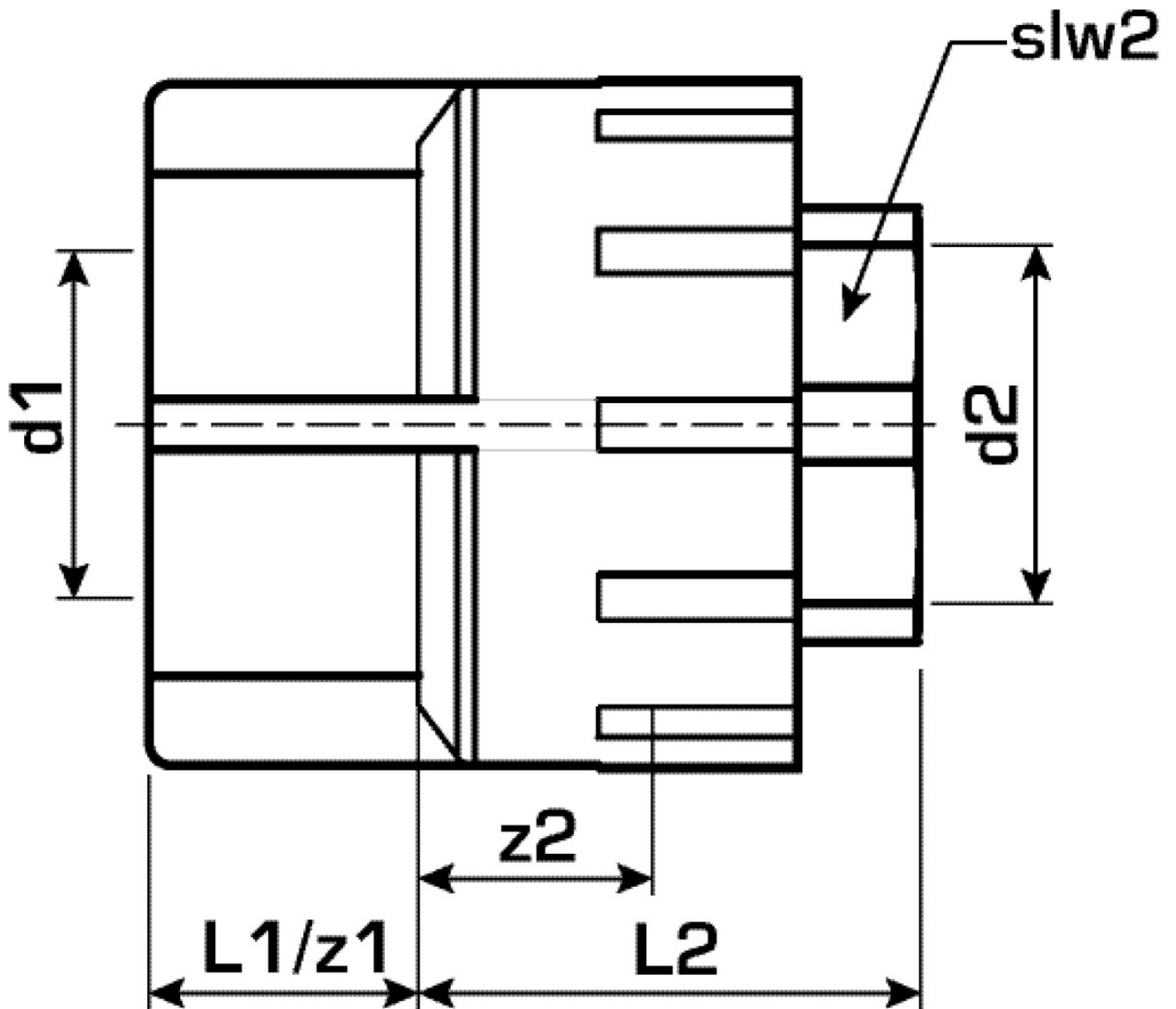
KETRIX polyfusion weld fitting for connecting POB pipes with fittings made of the same material without narrowing the cross-section, with injected male thread made of dezincification-resistant brass and non-porous metal-plating, thread conforms to ÖNORM EN 10226

System parts marked with an "S" are produced with a wrench attachment connection

Do NOT connect to threaded pipes or to cast iron fittings!

Specifications

Product information	
VPE1	5,00 SA1
VPE2	40,00 KT1
VPE3	160,00 KT2
VPE4	3840,00 PAL
weight	0,113 KGM
text	KETRIX adapter with female thread
INTRNR	39174000
main material group	KETRIX
material group	KETRIX metal fittings
code	TRI13



Art. No	label
55212F04	32x3/4"