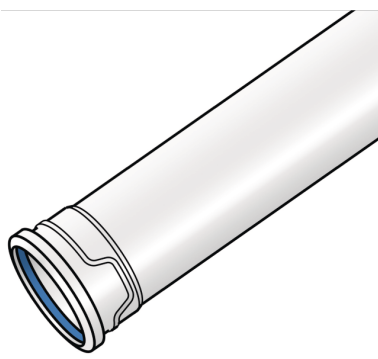


# PHONEX

## PHONEX AS-PLUS soundproof pipe - 2000

14520K00

### Areas of application



PP mineral-reinforced sound-deadening drain piping system for domestic channel drains - and ground installation; with moulded push-in sleeve, patented lip seal with integrated lubricant and hexagonal chamfering to reduce insertion forces

Hot water-resistant up to 90°C, short-term up to 95°C

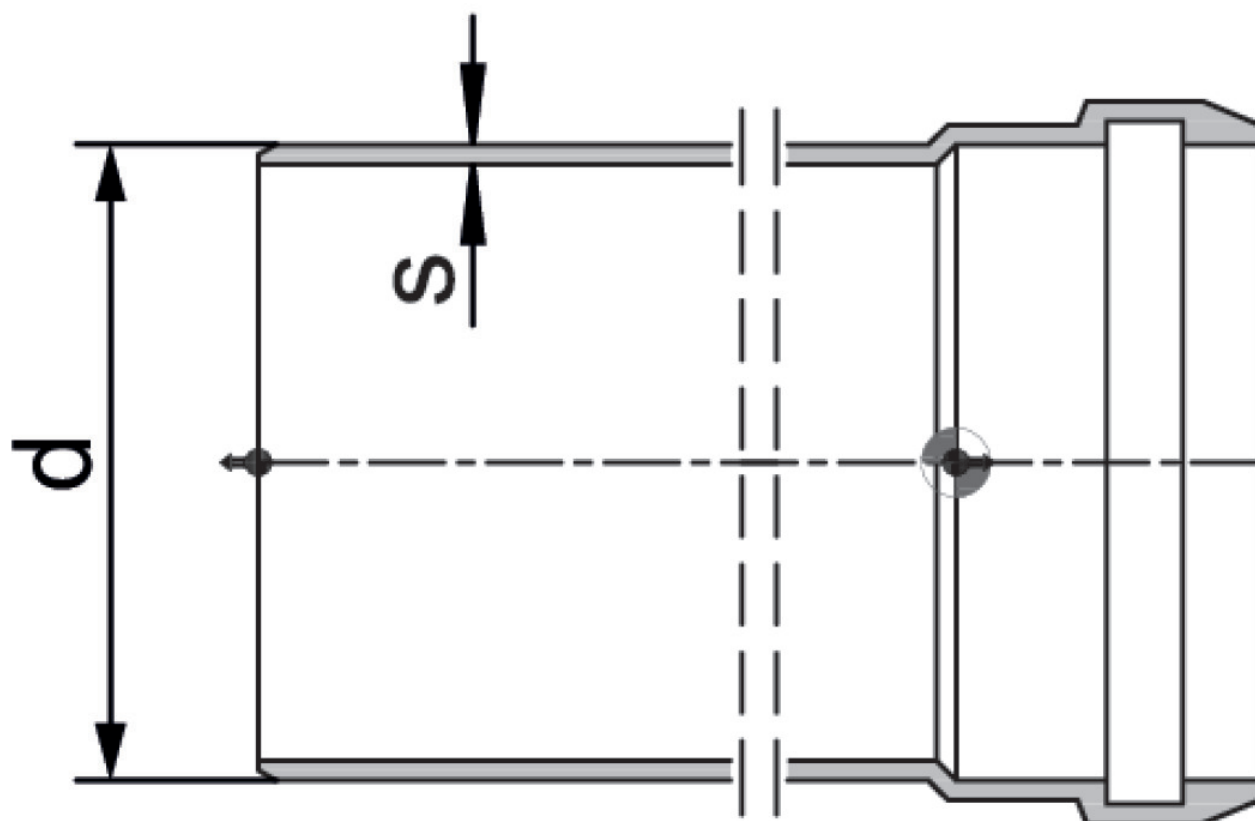
Fitting length: 2000mm

# Specifications

## Product information

text

PHONEX AS-PLUS soundproof pipe - 2000



Art. No

14520K00