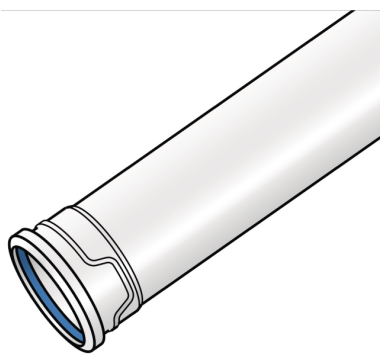


PHONEX

PHONEX AS-PLUS soundproof pipe - 3000

14530L00

Areas of application



PP mineral-reinforced sound-deadening drain piping system for domestic channel drains - and ground installation; with moulded push-in sleeve, patented lip seal with integrated lubricant and hexagonal chamfering to reduce insertion forces

Hot water-resistant up to 90°C, short-term up to 95°C

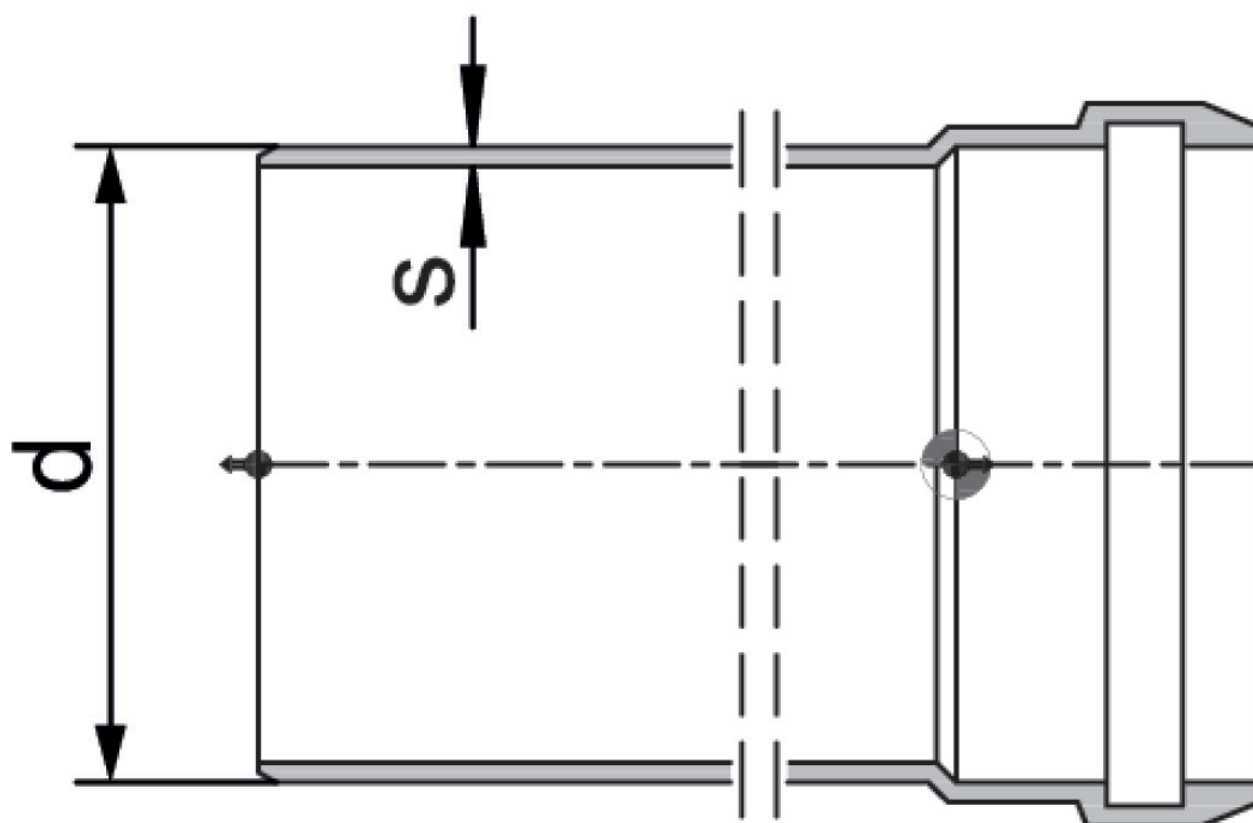
Fitting length: 3000mm

Specifications

Product information

text

PHONEX AS-PLUS soundproof pipe - 3000



Art. No

14530L00