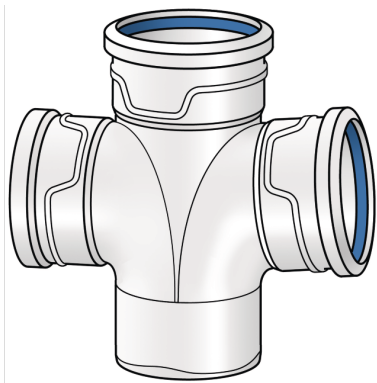


# PHONEX

## PHONEX AS-PLUS double branch 87°

14790KKK

### Areas of application



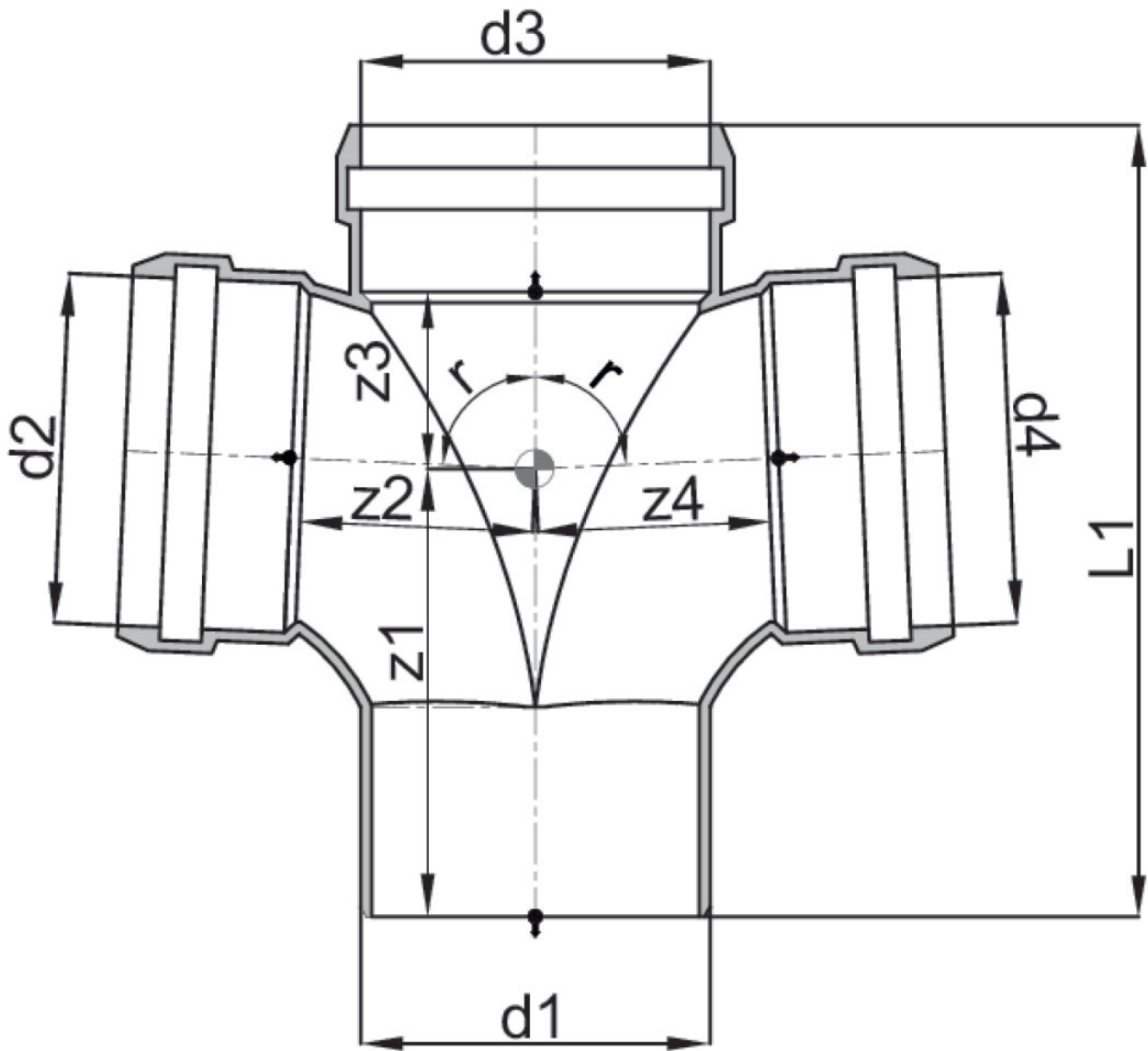
PP mineral-reinforced sound-deadening moulded part; with moulded push-in sleeves, patented lip seal with integrated lubricant and hexagonal chamfering to reduce insertion forces

# Specifications

## Product information

text

PHONEX AS-PLUS double branch 87°



Art. No

14790KKK