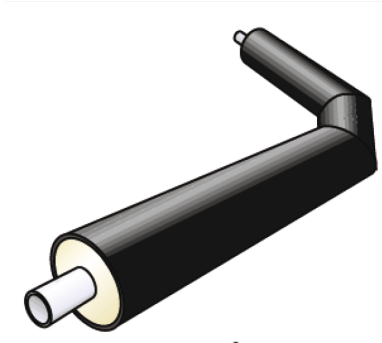


KELIT PEX

PEX35 KELIT PEX pre-insulated elbow 90° IS 2 90x8.2

3020272

Areas of application



Pre-insulated PEX elbow, analogous to PEX00-2 WITHOUT medium and jacket pipe connection.

It may be necessary to use (PEX45) reducing sleeves to connect the pipe to the elbow!

Leg length: 1600 x 1100mm

Sizes d125 and d140mm on request!

Specifications

Product information	
casing DA	182
VPE1	1,00 STK
weight	12,500 KGM
text	KELIT PEX pre-insulated elbow 90° IS 2
INTRNR	39174000
main material group	KELIT PEX
material group	PEX fittings
code	PEX35

Art. No	label
3020272	90x8.2