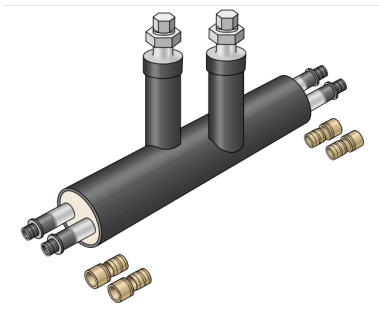


KELIT PEX

KELIT DUO-PEX pre-insulated ball valves 50+50

303950000036

Areas of application



Pre-insulated, welded steel ball valves, INCLUDING 4 welded-on (PEX13) medium pipe connections, WITHOUT jacket pipe connections

You must use (PEX40 or PEX45) jacket pipe connection or reducing sleeves to connect the ball valve to the pipe or other shaped parts!

Overall length: 1500 x 500mm

ATTENTION: THESE ARE NOT EX-STOCK ITEMS!

Specifications

Product information

text KELIT DUO-PEX pre-insulated ball valves

Art. No

303950000036

label

50+50



KE KELIT GmbH

A 4020 Linz, Ignaz-Mayer-Straße 17, Austria, Europe

PHONE +43 (0) 50 779 **E-MAIL** office@kekelit.com

www.kekelit.com