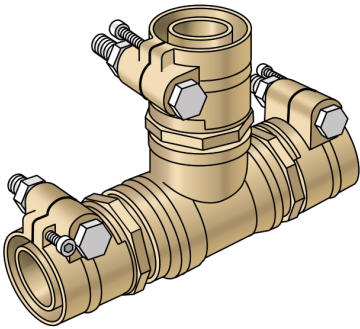


KELIT PEX

PEX19S-K KELIT PEX tee piece clamping connection SANITARY 40/32/40

302090700001K

Areas of application



PEX tee clamping connection made of brass, for connecting PEX05 or PEX06 sanitary pipes (SDR 7.4)

Specifications

Product information

VPE1	1,00 STK
weight	1,950 KGM
text	KELIT PEX tee piece clamping connection SANITARY
INTRNR	74122000
main material group	KELIT PEX
material group	PEX sanitary-fittings
code	PEX19S-K

Art. No

label

302090700001K

40/32/40