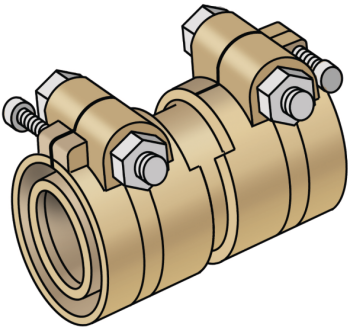


# KELIT PEX

## PEX11-K KELIT PEX-PEX clamping connection 25x2.3/25x2.3

303042400010

### Areas of application



PEX / PEX clamping connection made of brass, for connecting PEX00, PEX03, PEX09 or PEX10 pipes (SDR 11)

# Specifications

Product information	
VPE1	1,00 STK
weight	0,300 KGM
text	KELIT PEX-PEX clamping connection
INTRNR	74122000
main material group	KELIT PEX
material group	PEX fittings and accessories
code	PEX11-K

Art. No	label
303042400010	25x2.3/25x2.3