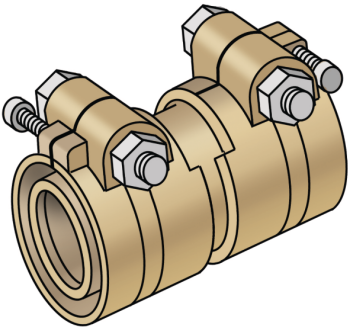


# KELIT PEX

## PEX11-K KELIT PEX-PEX clamping connection 90x8.2/90x8.2

303045600010

### Areas of application



PEX / PEX clamping connection made of brass, for connecting PEX00, PEX03, PEX09 or PEX10 pipes (SDR 11)

# Specifications

| Product information |                                   |
|---------------------|-----------------------------------|
| VPE1                | 1,00 STK                          |
| weight              | 3,600 KGM                         |
| text                | KELIT PEX-PEX clamping connection |
| INTRNR              | 74122000                          |
| main material group | KELIT PEX                         |
| material group      | PEX fittings and accessories      |
| code                | PEX11-K                           |

| Art. No      | label         |
|--------------|---------------|
| 303045600010 | 90x8.2/90x8.2 |