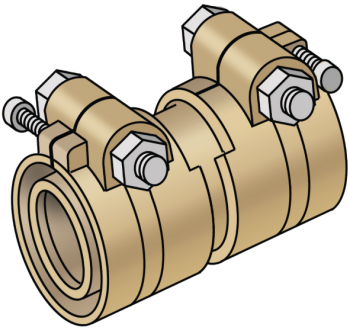


# KELIT PEX

## PEX11-K KELIT PEX-PEX clamping connection 110x10.0/110x10.0

303046100010

### Areas of application



PEX / PEX clamping connection made of brass, for connecting PEX00, PEX03, PEX09 or PEX10 pipes (SDR 11)

# Specifications

## Product information

<b>VPE1</b>	1,00 STK
<b>weight</b>	5,700 KGM
<b>text</b>	KELIT PEX-PEX clamping connection
<b>INTRNR</b>	74122000
<b>main material group</b>	KELIT PEX
<b>material group</b>	PEX fittings and accessories
<b>code</b>	PEX11-K

## Art. No

## label

303046100010

110x10.0/110x10.0



**KE KELIT GmbH**

A 4020 Linz, Ignaz-Mayer-Straße 17, Austria, Europe

**PHONE** +43 (0) 50 779 **E-MAIL** [office@kekelit.com](mailto:office@kekelit.com)

[www.kekelit.com](http://www.kekelit.com)