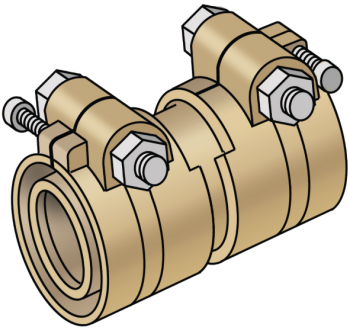


KELIT PEX

PEX11-K KELIT PEX-PEX clamping connection 125x11.4/125x11.4

303046600010

Areas of application



PEX / PEX clamping connection made of brass, for connecting PEX00, PEX03, PEX09 or PEX10 pipes (SDR 11)

Specifications

Product information

VPE1	1,00 STK
weight	9,300 KGM
text	KELIT PEX-PEX clamping connection
INTRNR	74122000
main material group	KELIT PEX
material group	PEX fittings and accessories
code	PEX11-K

Art. No

label

303046600010

125x11.4/125x11.4