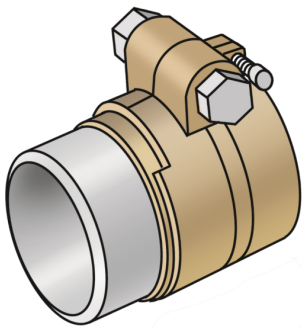


KELIT PEX

PEX13-K KELIT PEX clamping connection with welding socket piece 110x10.0/DN100

303021100010

Areas of application



Steel/PEX press connection adapter with ST 37.0 welding socket piece for connecting PEX00, PEX03, PEX09 or PEX10 pipes (SDR 11)

Specifications

Product information

VPE1	1,00 STK
weight	4,500 KGM
text	KELIT PEX clamping connection with welding socket piece
INTRNR	74122000
main material group	KELIT PEX
material group	PEX fittings and accessories
code	PEX13-K

Art. No

label

303021100010

110x10.0/DN100