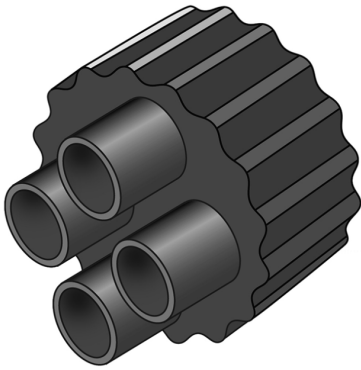


# KELIT PEX

## KELIT QUATTRO-PEX end cap heat shrink 2x32/32+20

3031410

### Areas of application



QUATTRO heat shrinking end cap made from PE-HD, for watertight insulating seals in ducts or buildings

# Specifications

## Product information

**text** KELIT QUATTRO-PEX end cap heat shrink

## Art. No

3031410

## label

2x32/32+20



**KE KELIT GmbH**

A 4020 Linz, Ignaz-Mayer-Straße 17, Austria, Europe

**PHONE** +43 (0) 50 779 **E-MAIL** [office@kekelit.com](mailto:office@kekelit.com)

[www.kekelit.com](http://www.kekelit.com)