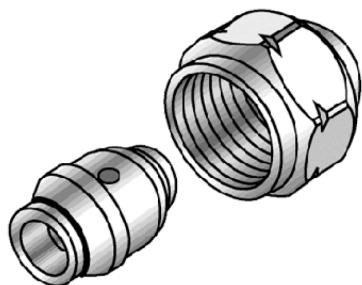


KELOX euro thread fitting 16x3/4"

7701090

Areas of application



?For connecting to installation components with 3/4" EUROCONE (male) as per EN 215, non-porous metal-plated brass, incl. nut (female), support sleeve with O-rings and clamping ring

Marking: circumferential notch on nut

O-ring colour: BLACK

Approvals:



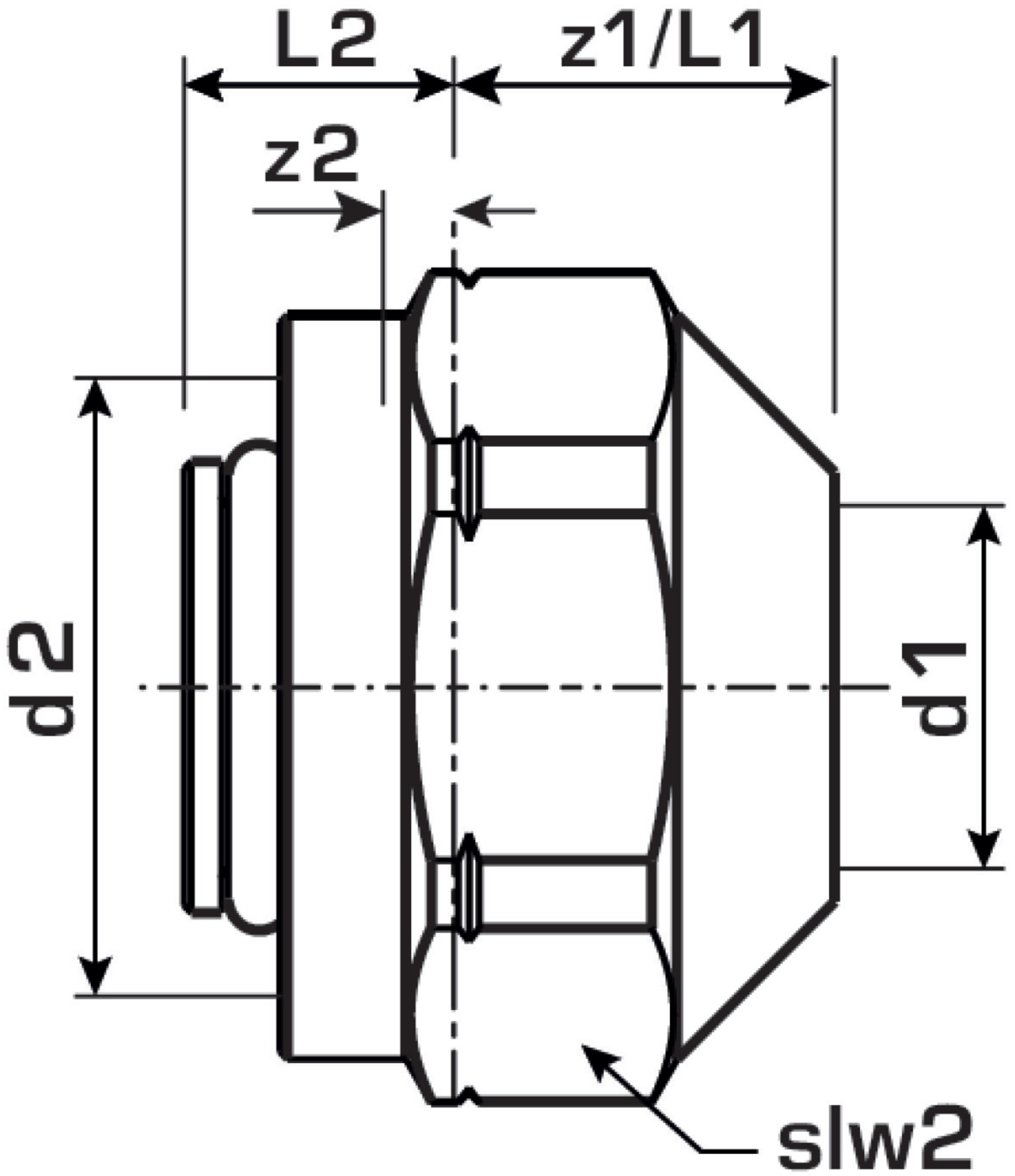
Specifications

Technical properties

maximum working pressure at 20 ° C	10
------------------------------------	----

Product information

text	KELOX euro thread fitting
------	---------------------------



Art. No	label	L1	L2	z1	slw2
7701090	16x3/4"	15	11	15	30



KE KELIT GmbH

A 4020 Linz, Ignaz-Mayer-Straße 17, Austria, Europe

PHONE +43 (0) 50 779 **E-MAIL** office@kekelit.com

www.kekelit.com