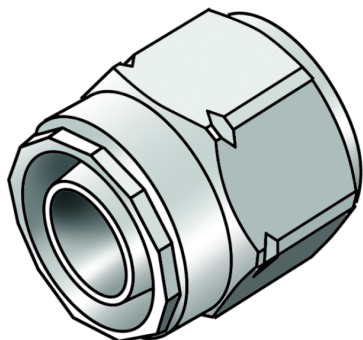


# KELOX euro thread fitting

7701190

## Areas of application



?For connecting to installation components with 3/4" EUROCONE (male) as per EN 215, non-porous metal-plated brass, incl. nut (female), support sleeve with O-rings and clamping ring

Marking: circumferential notch on nut

O-ring colour: BLACK

## Approvals:



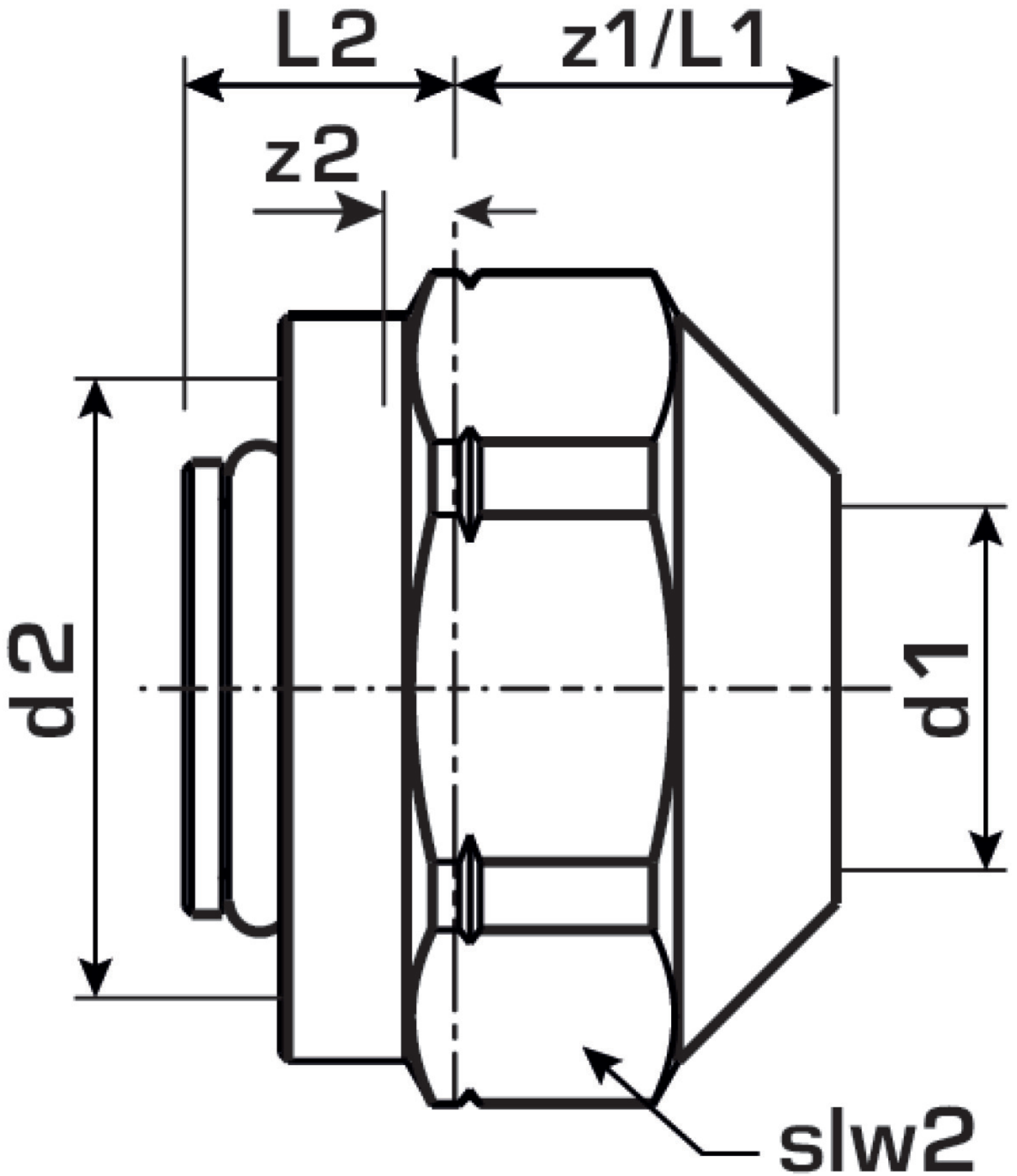
# Specifications

## Technical properties

maximum working pressure at 20 ° C	10
------------------------------------	----

## Product information

text	KELOX euro thread fitting
------	---------------------------



Art. No	L1	L2	z1	slw2
7701190	23	11	23	34



**KE KELIT GmbH**

A 4020 Linz, Ignaz-Mayer-Straße 17, Austria, Europe

**PHONE** +43 (0) 50 779 **E-MAIL** office@kekelit.com

www.kekelit.com