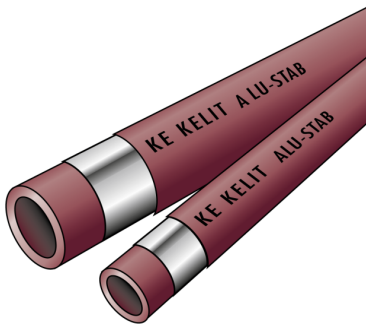


# TRI01 KETRIX aluminium composite pipe - PN16 25x2.8

55001E00

## Areas of application



KETRIX ALU composite pipe based on EN ISO 15874 oxygen-tight made of polyolefin blend (POB), mechanically stabilising aluminium pipe attached to the outer wall of the medium pipe with a bonding agent and protective layer for COOLING WATER, COLD and COMPRESSED AIR up to 10 bar Area of application: 20°C/16 bar, from -30°C to +40°C/10 bar

Colour: burgundy

Length: 4m

# Specifications

## Article information

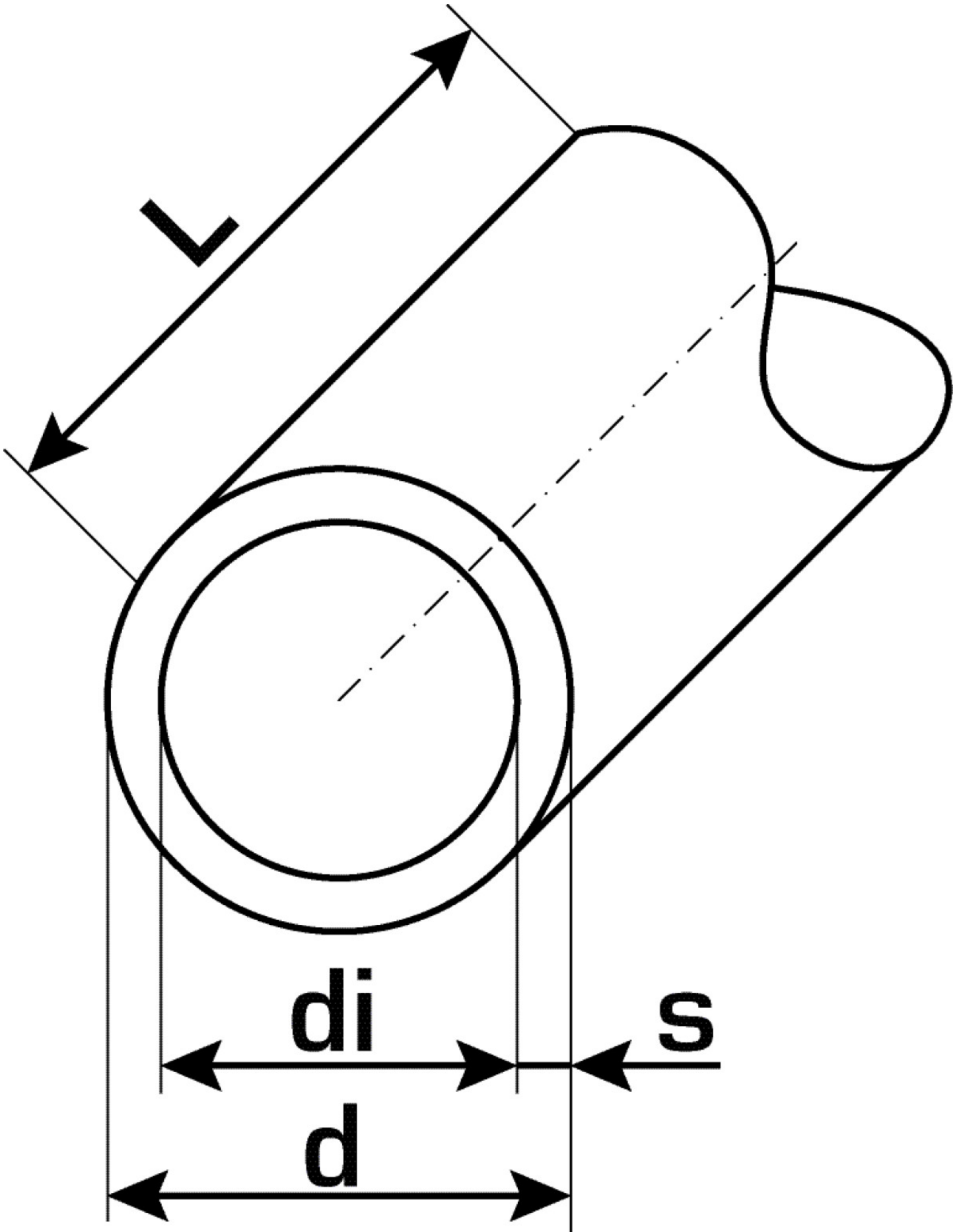
color	Burgundy
trade length	4 m
isolation	No

## Technical properties

maximum working pressure at 20 ° C	16 bar
pipe weight	0,27 kg/m
pipe contents	0,30 l/m
lambda pipe	0,24 W/(m.K)
wall rawness	0,007 mm
expansion coefficient	0,030 mm/(m.K)

## Product information

DIM2	19,4
VPE1	40,00 BND
L	4 m
weight	0,270 KGM
text	KETRIX aluminium composite pipe - PN16
INTRNR	39172290
main material group	KETRIX
material group	KETRIX pipes
code	TRI01



Art. No	label	d1 mm	pipe contents l/m	s mm
55001E00	25x2.8	25	0,30	2,8



**KE KELIT GmbH**

A 4020 Linz, Ignaz-Mayer-Straße 17, Austria, Europe

**PHONE** +43 (0) 50 779 **E-MAIL** [office@kekelit.com](mailto:office@kekelit.com)

[www.kekelit.com](http://www.kekelit.com)