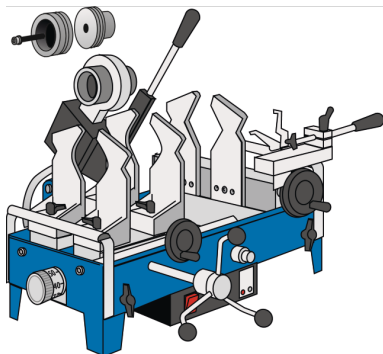


# WZ110 KELIT pipe welding machine 25-125

2680700

## Areas of application



Pre-set, self-regulating pipe welding machine WZ110 d20-90:

with (230 V, 1000 W) welding mirror, heating elements d20-90mm

incl. pipe clamping jaws, wheel pipe cutter d20-75 and d50-140mm, timer, special gloves, pipe rest and feet, packaged in a wooden crate for transportation

Pre-set, self-regulating pipe welding machine WZ110 d25-125:

with (230 V, 1400 W) welding mirror, heating elements d25-125mm

incl. pipe clamping jaws wheel pipe cutter d20-75 and d50-140mm, timer, special gloves, pipe rest and feet, packaged in a wooden crate for transportation

Pre-set, self-regulating pipe welding machine WZ110 d63-160:

with (230 V, 3600 W) welding mirror, heating elements d63-160mm

incl. pipe clamping jaws d63-160mm, packaged in a wooden crate for transportation

# Specifications

| Product information |                            |
|---------------------|----------------------------|
| VPE1                | 1 KST                      |
| weight              | 106 KGM                    |
| text                | KELIT pipe welding machine |
| INTRNR              | 85158090                   |
| main material group | TOOLS                      |
| material group      | KELEN, KETRIX tools        |
| code                | WZ110                      |

| Art. No | label  |
|---------|--------|
| 2680700 | 25-125 |