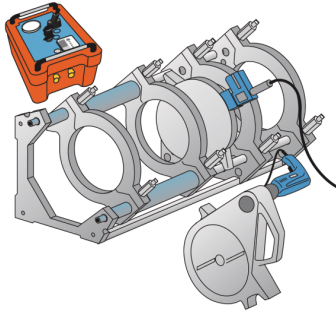


WZ115 KELIT butt welding machine 40-160 40-160

2680400

Areas of application



Consisting of hydraulic butt welding machine including straightening planer, complete control unit with temperature control, hydraulic controller and time settings

WZ115 d40-160mm

Including welding mirror (230 V, 1000 W) and wheel pipe cutter
d20-75, d50-140 and d110-160mm

WZ115 d90-315mm

Including welding mirror (230 V, 2500 W)

Packaged in wooden crate for transportation

ON LOAN ONLY – RENTAL FEE €70 PER CALENDAR WEEK



KE KELIT GmbH

A 4020 Linz, Ignaz-Mayer-Straße 17, Austria, Europe

PHONE +43 (0) 50 779 E-MAIL office@kekelit.com

www.kekelit.com

Specifications

Product information	
VPE1	1 KST
weight	125 KGM
text	KELIT butt welding machine 40-160
INTRNR	85158090
main material group	TOOLS
material group	KELEN, KETRIX tools
code	WZ115

Art. No	label
2680400	40-160