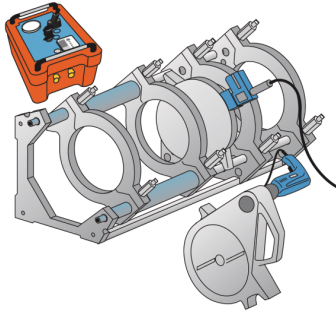


WZ115 KELIT butt welding machine 40-160

Welding mirror, compl.

2683107

Areas of application



Consisting of hydraulic butt welding machine including straightening planer, complete control unit with temperature control, hydraulic controller and time settings

WZ115 d40-160mm

Including welding mirror (230 V, 1000 W) and wheel pipe cutter
d20-75, d50-140 and d110-160mm

WZ115 d90-315mm

Including welding mirror (230 V, 2500 W)

Packaged in wooden crate for transportation

ON LOAN ONLY – RENTAL FEE €70 PER CALENDAR WEEK

Specifications

Product information	
VPE1	1 STK
weight	3,9 KGM
text	KELIT butt welding machine 40-160
INTRNR	85158090
main material group	TOOLS
material group	KELEN, KETRIX tools
code	WZ115

Art. No	label
2683107	Welding mirror, compl.