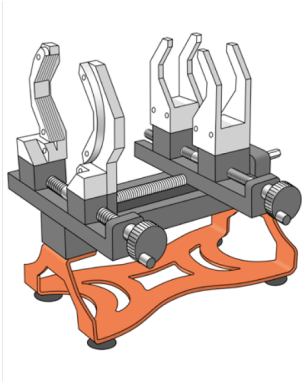


# WZ120R KELIT overhead welding machine R-Set d25-125 Welding mirror 50-125

2680220

## Areas of application



Consisting of an overhead welding machine with removable frame for polyfusion welding in assembly, including pre-set self-regulating welding mirror (230 V, 1400 W) with central d25-125mm clamping jaws, d50-125mm heating elements for welding pipes and d50-125mm fittings, pipe cutter d50-140mm, timer and special gloves, packaged in a wooden crate for transportation

Weight of machine: approx 10 kg

ON LOAN ONLY – RENTAL FEE €50 PER CALENDAR WEEK.

# Specifications

Product information	
VPE1	1 STK
weight	1,8 KGM
text	KELIT overhead welding machine R-Set d25-125
INTRNR	85158090
main material group	TOOLS
material group	KELEN, KETRIX tools
code	WZ120R

Art. No	label
2680220	Welding mirror 50-125