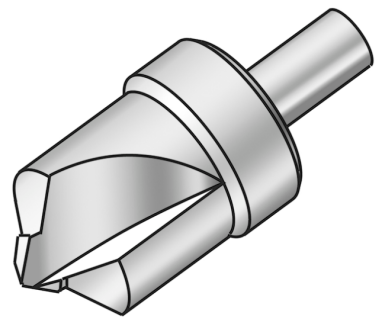


# WZ125 KELIT saddle drill 24mm

2684000

## Areas of application



For drilling the d24 mm holes when welding saddle fitting joints

# Specifications

Product information	
VPE1	1 SA1
weight	0,133 KGM
text	KELIT saddle drill
INTRNR	82051000
main material group	TOOLS
material group	KELEN, KETRIX tools
code	WZ125

Art. No	label
2684000	24mm