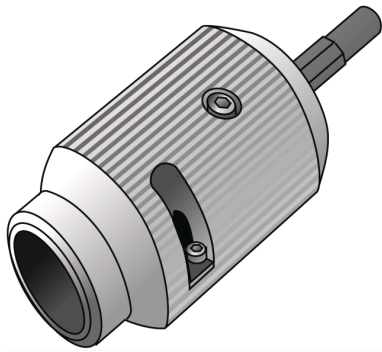


WZ150 KELIT aluminium peeler 75

2814750

Areas of application



For peeling KELIT aluminium pipes in the welding area; when using E-welding sockets, you **MUST** extend the stop by unscrewing the Allen screw on the peeler. Alternatively, you can use a slow-running drill or cordless screw driver at a maximum speed of 500 rpm.

Specifications

Product information	
VPE1	1 SA1
weight	1,156 KGM
text	KELIT aluminium peeler
INTRNR	84663000
main material group	TOOLS
material group	KELEN, KETRIX tools
code	WZ150

Art. No	label
2814750	75