

# KELOX<sub>FB</sub>

## KU100P ULTRA PE-RT FB Plus pipe - 9mm 16x2

7011162

### Areas of application



ULTRA PE-RT pipe type 2 acc. to ÖNORM EN ISO 22391, with an oxygen-tight EVOH barrier protected with PE-RT coating in accordance with DIN 4726, with factory-applied 9mm closed-cell soft foam insulation and jacket made of viscoplastic PE film.

Connections can be made using KM compression fittings, KMP-, KWP-, KMU-, KMW- and KWW-fittings.

Classification of operating conditions as per ÖNORM EN ISO 22391

Underfloor heating - Class 4: 60°C - tmax 70°C/6 bar

Insulation thickness: 9mm

Colour: red

Supplied in coils

## Approvals:



# Specifications

## Article information

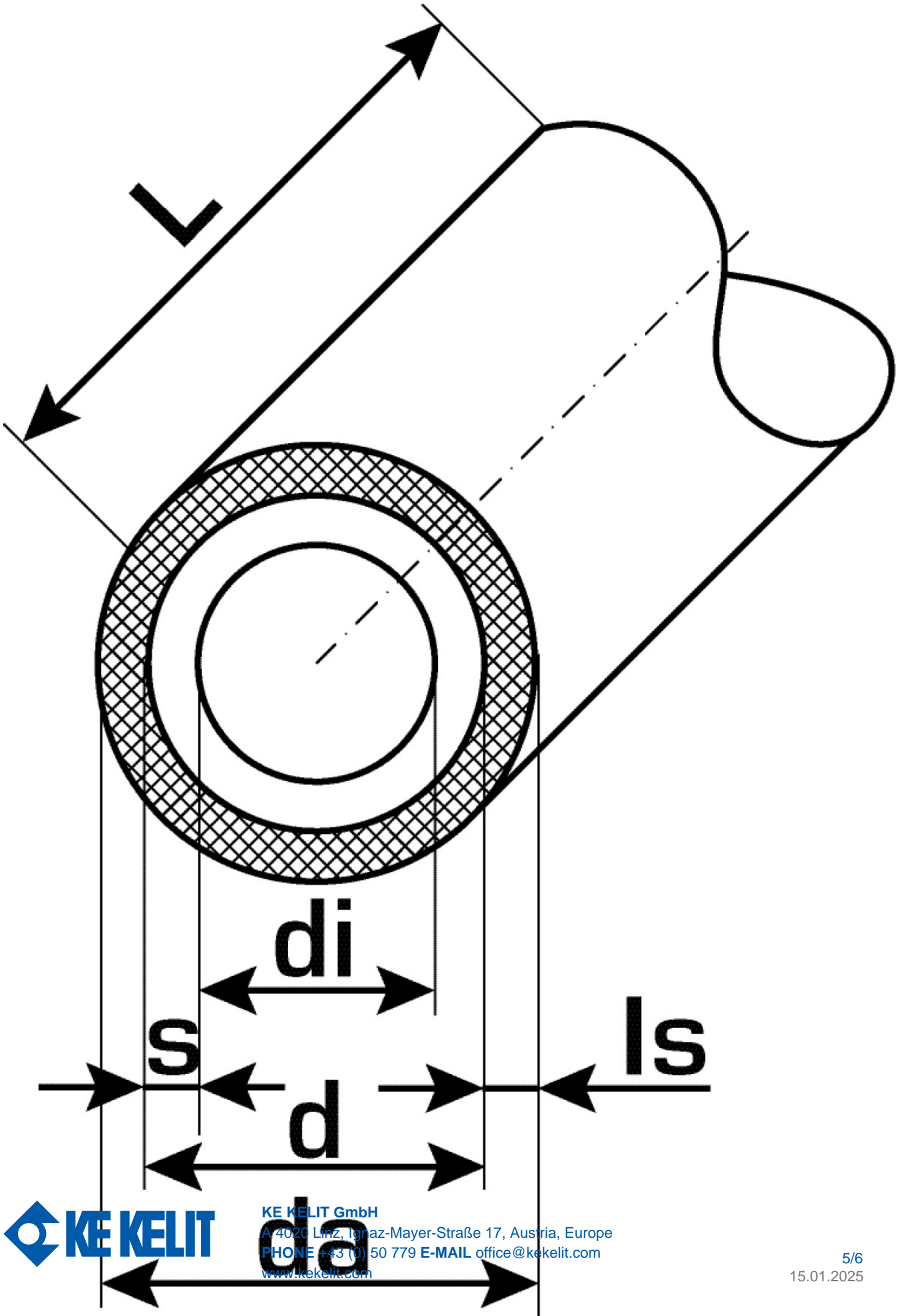
color	rot
colour isolation	rot
flexible	1
trade length	100 m
isolation	1

## Technical properties

maximum working pressure at 20 ° C	6 bar
thick thermal insulation	9 mm
pipe weight	0,11 kg/m
pipe contents	0,113 l/m
lambda pipe	0,45 W/(m.K)
wall rawness	0,007 mm
expansion coefficient	0,19 mm/(m.K)

## Product information

VPE1	100,00 ROL
VPE2	900,00 PAL
L	100 m
weight	0,142 KGM
text	ULTRA PE-RT FB Plus pipe - 9mm
INTRNR	39173900
code	KU100P



Art. No	label	d1 mm	d Jacket tube mm	pipe contents l/m	s mm
7011162	16x2	16	34	0,113	2



**KE KELIT GmbH**

A 4020 Linz, Ignaz-Mayer-Straße 17, Austria, Europe

**PHONE** +43 (0) 50 779 **E-MAIL** [office@kekelit.com](mailto:office@kekelit.com)

[www.kekelit.com](http://www.kekelit.com)