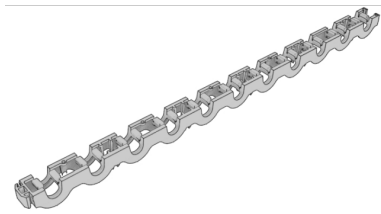


CLIMATE FIX

KC610B CLIMATEFIX near surface thermal activated concrete clamping rail 16 small pack

6353060

Areas of application



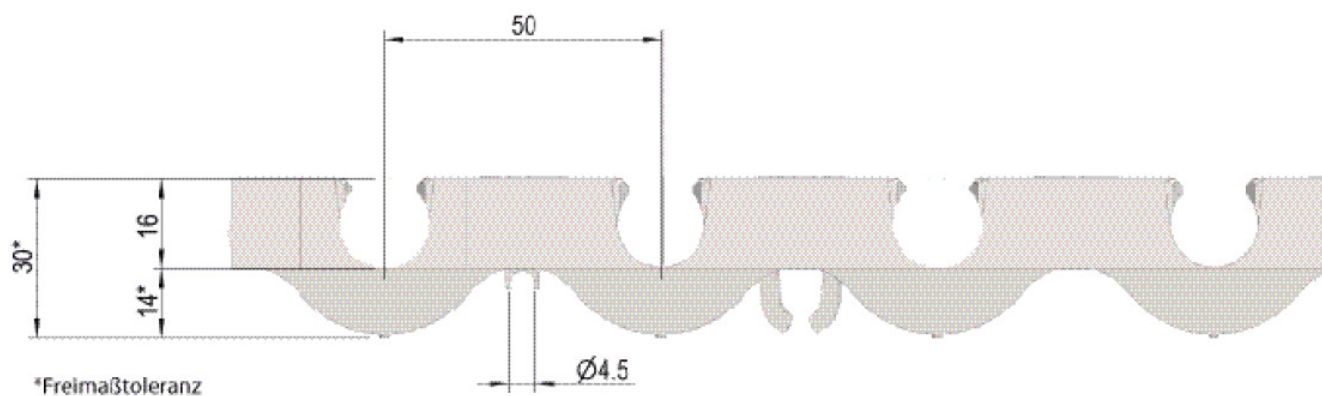
PP clamping rail (recycled granulate, colour may differ), with self-clamping pipe fastening for pipes d16mm in 50mm spacing or optional 4.5mm pipe, endlessly expandable through a push fitting, fastening option with optionally KC611 stainless steel nails.

d16: L: 0.55m W: 30mm H: 30mm

Specifications

Product information

VPE1	50,00 KT1
VPE2	2000,00 PAL
L	0,55 m
weight	0,098 KGM
text	CLIMATEFIX near surface thermal activated concrete clamping rail
INTRNR	39161000
main material group	CLIMATEFIX
material group	CLIMATEFIX fittings
code	KC610B



Art. No	label
6353060	16 small pack