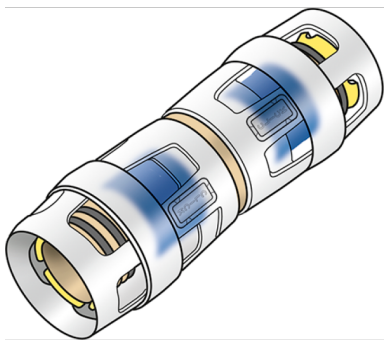


KELOX

KMP410X KELOX-PROTEC CLIX coupling 25/16

730100EB0

Areas of application



?Push-in coupling equal or reduced, made of dezincification-resistant brass (DZR), incl. push-on sleeve made of transparent polyamide with insertion click noise, as well as haptic and optical insertion indicator, O-rings, withdrawal barriers and a protector ring as an insertion locking device

Approvals:



KE KELIT GmbH

A 4020 Linz, Ignaz-Mayer-Straße 17, Austria, Europe

PHONE +43 (0) 50 779 E-MAIL office@kekelit.com

www.kekelit.com

Specifications

Article information

port 1	insert (push-fitting)
port 2	insert (push-fitting)
execution	other
design	straight

Technical properties

maximum working pressure at 20 ° C	10 bar
------------------------------------	--------

Product information

VPE1	10,00 SA1
VPE2	120,00 KT1
weight	0,073 KGM
text	KELOX-PROTEC CLIX coupling
INTRNR	74122000
main material group	KELOX
material group	KELOX-PROtec pushfittings
code	KMP410X



Art. No	label	d1 mm	d2 mm	L1 mm	L2 mm	z1 mm	z2 mm
730100EB0	25/16	25	16	43	36	4	4