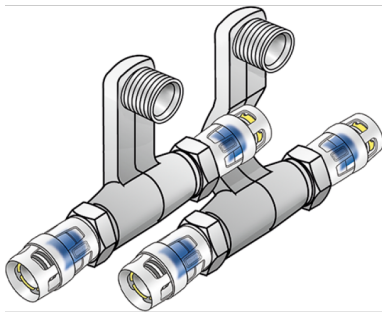


# KELOX

## KMP435X KELOX-PROTEC CLIX skirting board connecting set 16x1/2"xST

730155B02

### Areas of application



Skirting board radiator connecting set with PROTEC press-fit adapters; made of non-porous metallised brass, incl. push-on sleeve made of transparent polyamide with an insertion click sound, as well as haptic and optical insertion indicator, O-rings, withdrawal barriers and a protector ring as an insertion locking device with 1/2" male thread radiator connections

## Approvals:



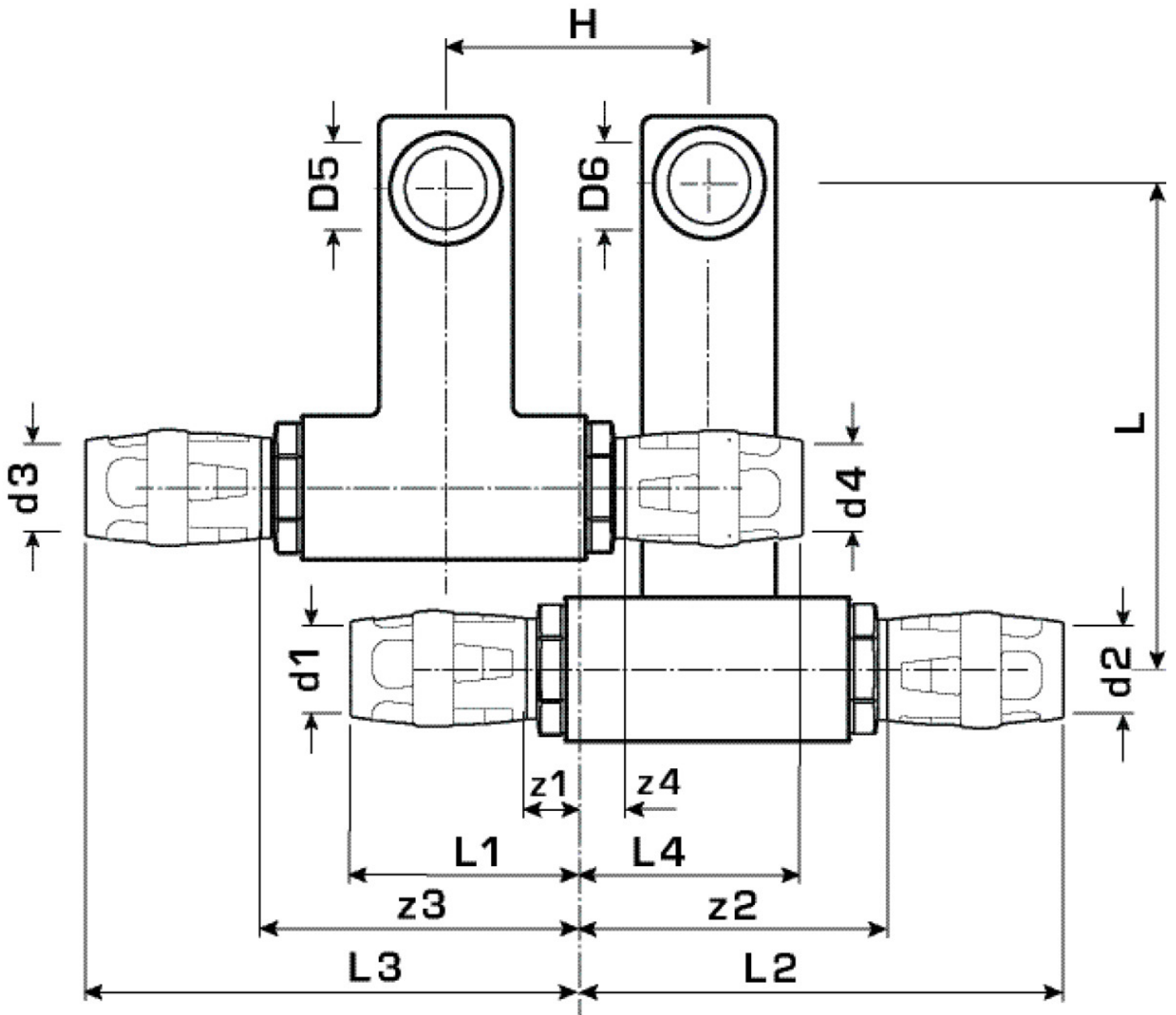
# Specifications

## Article information

|                  |                |
|------------------|----------------|
| <b>port 1</b>    | Plug-in sleeve |
| <b>port 2</b>    | Plug-in sleeve |
| <b>execution</b> | Miscellaneous  |

## Product information

|                            |   |
|----------------------------|---|
| <b>VPE1</b>                | 1,00 SA1  |
| <b>VPE2</b>                | 10,00 KT1                                       |
| <b>weight</b>              | 0,725 KGM                                       |
| <b>text</b>                | KELOX-PROTEC CLIX skirting board connecting set |
| <b>INTRNR</b>              | 74122000  |
| <b>main material group</b> | KELOX   |
| <b>material group</b>      | KELOX-PROtec pushfittings                       |
| <b>code</b>                | KMP435X   |



| Art. No | label  | d5 Inches    | d6 Inches    | d1 mm | d3 mm | L1 mm | L2 mm | L3 mm | L4 mm | z1 mm | z2 mm | z3 mm | z4 mm | h mm |
|---------|--------|--------------|--------------|-------|-------|-------|-------|-------|-------|-------|-------|-------|-------|------|
| 73015t  | 16x1/2 | 1/2"<br>(15) | 1/2"<br>(15) | 16    | 16    | 43    | 95    | 95    | 10    | 10    | 55    | 63    | 5     | 95   |