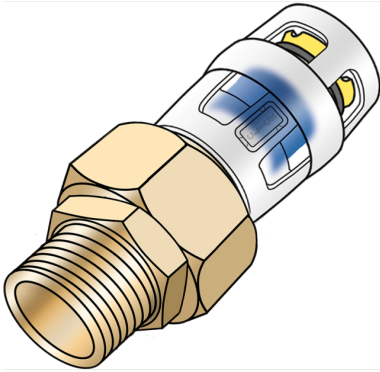


KELOX

KMP451X KELOX-PROTEC CLIX union with male thread 25x1"

730241E05

Areas of application



Plug-in union with male thread made from stainless steel, thread conforms to ÖNORM EN 10226, for connection to fittings, made of dezincification-resistant brass (DZR), including push-on sleeve made of transparent polyamide with insertion click noise, as well as haptic and optical insertion indicator, O-rings, withdrawal barriers and protector ring as insertion locking device, flat-sealing incl. seal

Approvals:



Specifications

Article information

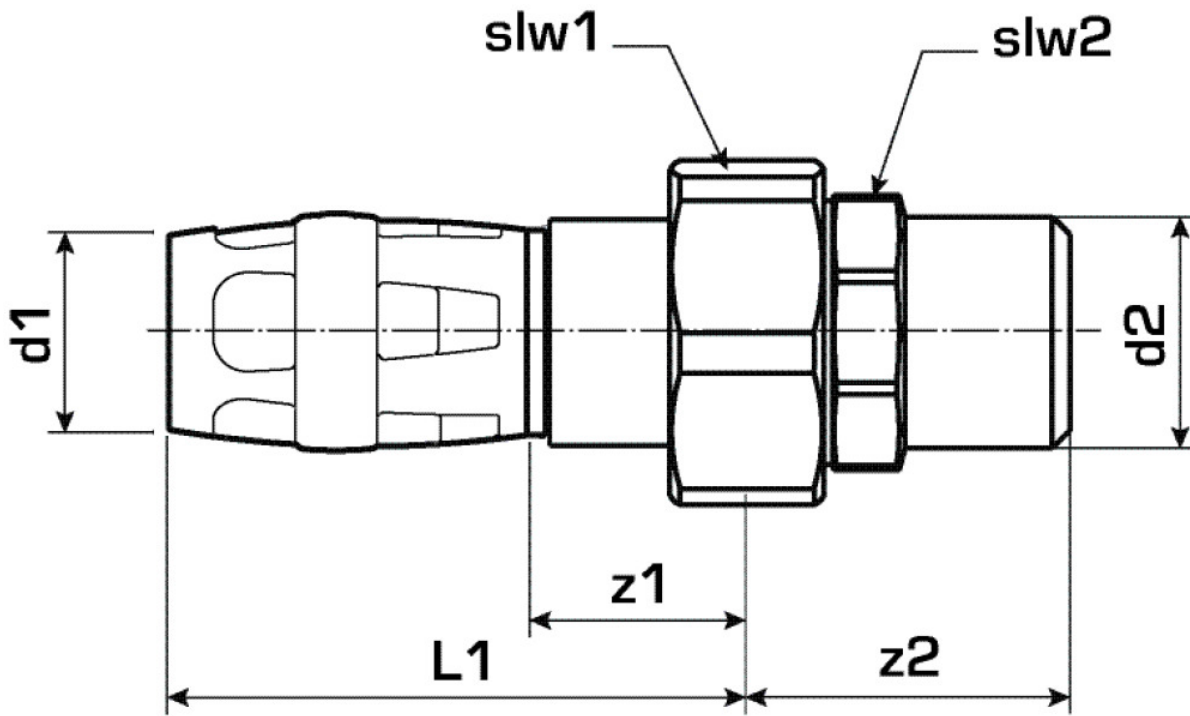
| | |
|--------|--------------------|
| port 1 | Plug-in |
| port 2 | Male thread metric |
| design | Miscellaneous |

Technical properties

| | |
|------------------------------------|--------|
| maximum working pressure at 20 ° C | 10 bar |
|------------------------------------|--------|

Product information

| | |
|---------------------|--|
| VPE1 | 10,00 SA1 |
| VPE2 | 50,00 KT1 |
| weight | 0,289 KGM |
| text | KELOX-PROTEC CLIX union with male thread |
| INTRNR | 74122000 |
| main material group | KELOX |
| material group | KELOX-PROtec pushfittings |
| code | KMP451X |



| Art. No | label | d2 Zoll | d1 mm | L1 mm | z1 mm | z2 mm | slw1 mm | slw2 mm |
|-----------|-------|----------------|-------|-------|-------|-------|---------|---------|
| 730241E05 | 25x1" | 1 Zoll (25) | 25 | 63 | 18 | 36 | 30 | 39 |