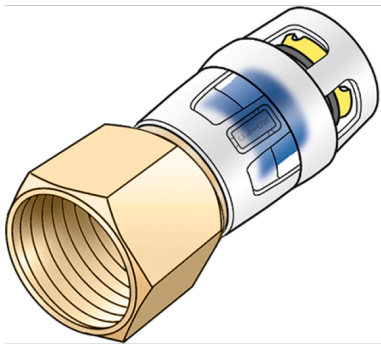


KELOX

KMP457X KELOX-PROTEC CLIX adapter with female thread 32x1"

730206F05

Areas of application



Plug-in adapter with female thread, made of dezincification-resistant brass (DZR), incl. push-on sleeve made of transparent polyamide with insertion click noise, as well as haptic and optical insertion indicator, O-rings, withdrawal barriers and a protector ring as an insertion locking device
DO NOT screw in any threaded pipes and cast iron fittings!

Approvals:



Specifications

Article information

| | |
|--------|---|
| port 1 | Plug-in |
| port 2 | Female thread cylindrical BSPT-Rp (ISO 7-1) |
| design | Straight |

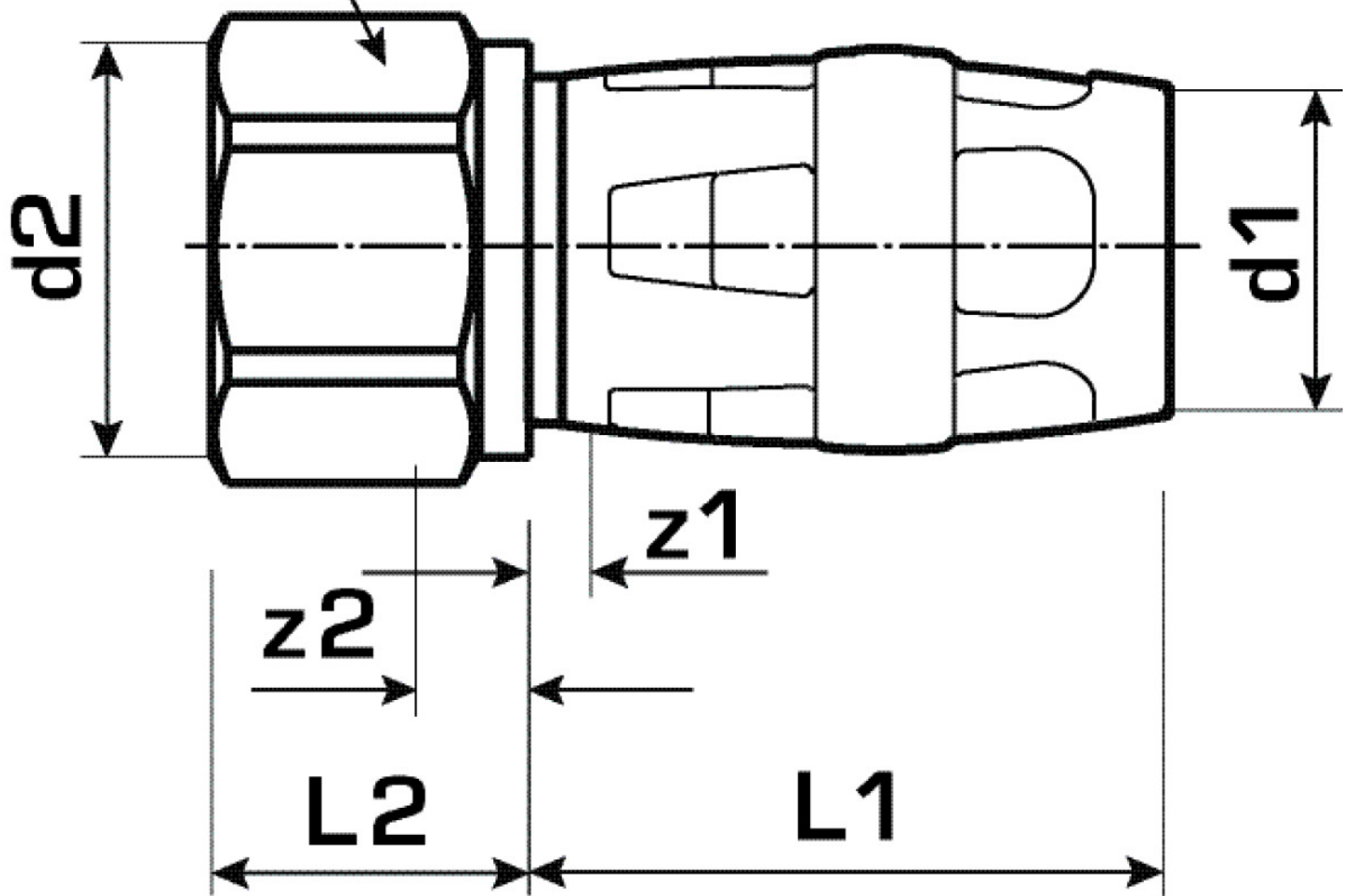
Technical properties

| | |
|------------------------------------|--------|
| maximum working pressure at 20 ° C | 10 bar |
|------------------------------------|--------|

Product information

| | |
|---------------------|--|
| VPE1 | 10,00 SA1 |
| VPE2 | 60,00 KT1 |
| weight | 0,162 KGM |
| text | KELOX-PROTEC CLIX adapter with female thread |
| INTRNR | 74122000 |
| main material group | KELOX |
| material group | KELOX-PROtec pushfittings |
| code | KMP457X |

slw2



| Art. No | label | d2 Zoll | d1 mm | L1 mm | L2 mm | z1 mm | z2 mm | slw2 mm |
|-----------|-------|----------------|-------|-------|-------|-------|-------|---------|
| 730206F05 | 32x1" | 1 Zoll (25) | 32 | 43 | 23 | 4 | 7 | 38 |