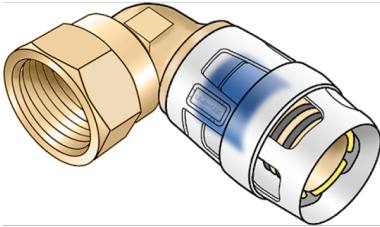


# KELOX

## KMP467X KELOX-PROTEC CLIX adapter elbow 90° with female thread 32x1"

730216F05

### Areas of application



Plug-in adapter elbow with female thread, made of dezincification-resistant brass (DZR), incl. push-on sleeve made of transparent polyamide with insertion click noise, as well as haptic and optical insertion indicator, O-rings, withdrawal barriers and protector ring as an insertion locking device  
DO NOT screw in any threaded pipes and cast iron fittings!

## Approvals:



# Specifications

## Article information

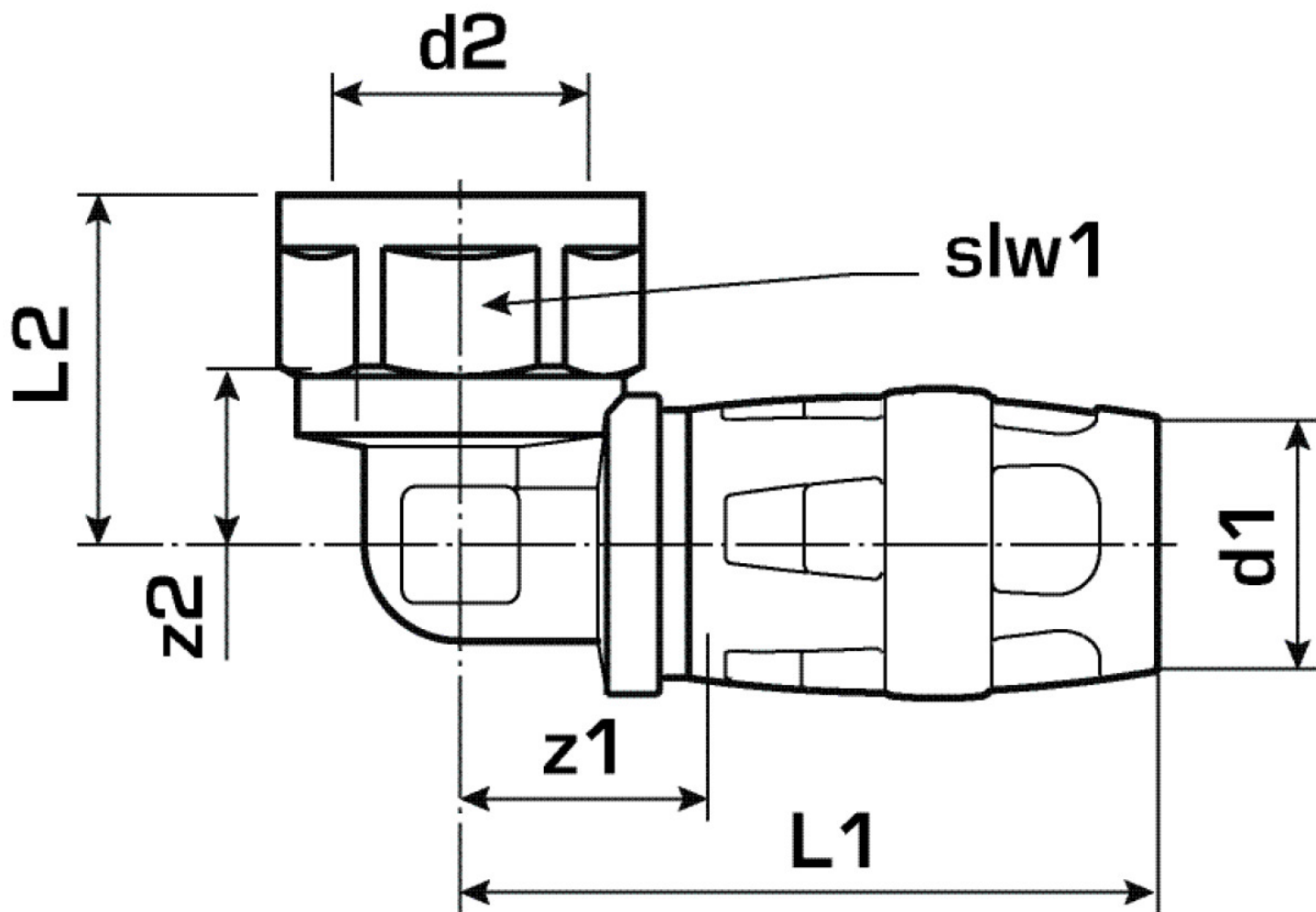
port 1	Plug-in
port 2	Female thread cylindrical BSPT-Rp (ISO 7-1)
design	Knee
angle	90 °

## Technical properties

maximum working pressure at 20 ° C	10 bar
------------------------------------	--------

## Product information

VPE1	6,00 SA1
VPE2	48,00 KT1
weight	0,248 KGM
text	KELOX-PROTEC CLIX adapter elbow 90° with female thread
INTRNR	74122000
main material group	KELOX
material group	KELOX-PROtec pushfittings
code	KMP467X



Art. No	label	d2 Zoll	d1 mm	L1 mm	L2 mm	z1 mm	z2 mm	slw1 mm
730216F05	32x1"	1 Zoll (25)	32	65	38	26	20	38