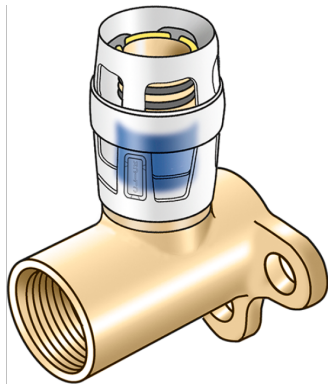


# KELOX

## KMP480X KELOX-PROTEC CLIX wall bracket fitting with female thread 20x3/4"

730250D04

### Areas of application



Plug-in wall bracket fitting with female thread, made of dezincification-resistant (DZR) brass, incl. push-on sleeve made of transparent polyamide with insertion click noise, as well as haptic and optical insertion indicator, O-rings, withdrawal barriers and a protector ring as an insertion locking device

Overall height:

1/2" - 47mm

3/4" - 49mm

DO NOT screw in any threaded pipes and cast iron fittings!

## Approvals:



# Specifications

## Article information

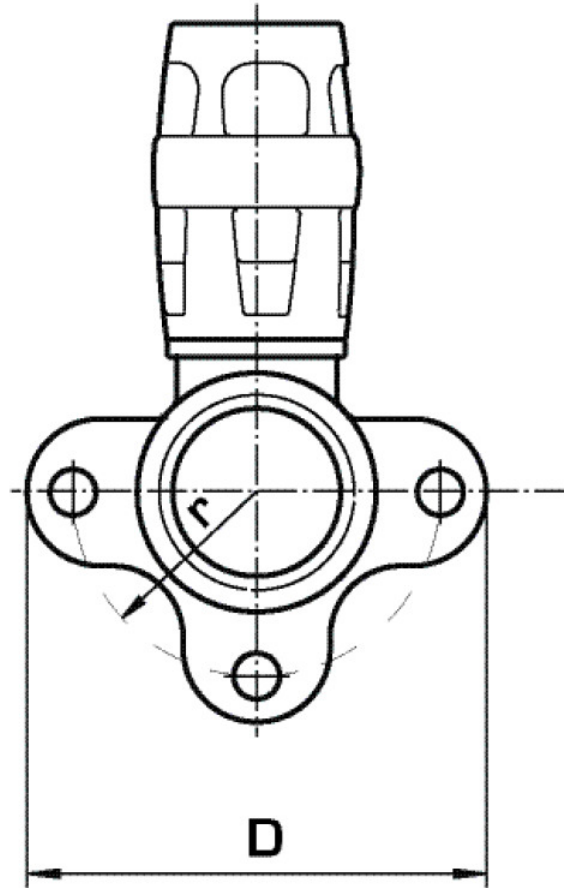
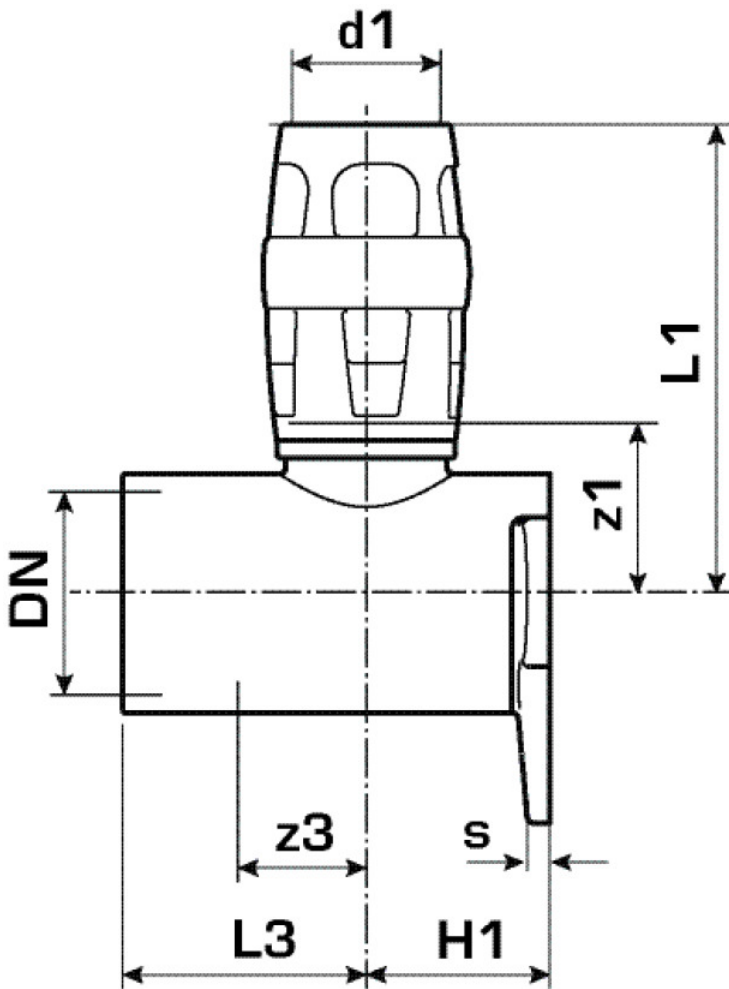
|        |                           |
|--------|---------------------------|
| port 1 | Plug-in                   |
| design | Continuously right-angled |

## Technical properties

|                                    |        |
|------------------------------------|--------|
| maximum working pressure at 20 ° C | 10 bar |
|------------------------------------|--------|

## Product information

|                     |   |
|---------------------|---|
| VPE1                | 10,00 SA1   |
| VPE2                | 60,00 KT1   |
| weight              | 0,218 KGM   |
| text                | KELOX-PROTEC CLIX wall bracket fitting with female thread |
| INTRNR              | 74122000  |
| main material group | KELOX   |
| material group      | KELOX-PROtec pushfittings                                 |
| code                | KMP480X   |



| Art. No   | label   | d1 mm | L1 mm | L3 mm | z1 mm | z3 mm |
|-----------|---------|-------|-------|-------|-------|-------|
| 730250D04 | 20x3/4" | 20    | 55    | 29    | 22    | 11    |